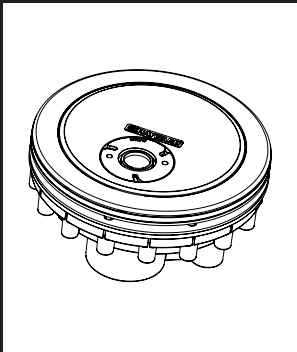




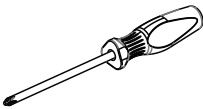
Universal ColorLogic® Bubbler for Fiberglass Pools

Owner's Manual

	Contents
	Safety Instructions.....1
	Before You Begin.....5
	Plumbing.....7
	1/4" - 3/8" Fiberglass Installation.....9
	3/8" - 2" Fiberglass Installation.....12
	Light Installation.....17
	Nozzle and Lens Installation.....18
	Winterization.....20
	Replacement Parts.....21
Warranty.....22	

WFB200

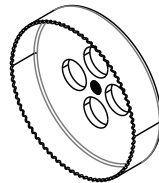
Tools Required:



#3 Phillips Screwdriver



For Fiberglass Walls Up to 3/8"
5-5/16" (135mm) Hole Saw, 1/4" Drill




For Fiberglass Walls 1/4" to 2"
7-5/64" (180mm) Hole Saw


Hayward Industries
 1415 Vantage Park Dr., Suite 400
 Charlotte, NC 28203
 Phone: (908) 355-7995
www.hayward.com




HAYWARD®

IMPORTANT SAFETY INSTRUCTIONS

 This is the safety-alert symbol. When you see this symbol on equipment or in this manual, look for one of the following signal words and be alert to the potential for personal injury:


 **WARNING** – warns about hazards that could cause serious personal injury, death or major property damage and if ignored presents a potential hazard.

 **CAUTION** – warns about hazards that will or can cause minor or moderate personal injury and/or property damage and if ignored presents a potential hazard. It can also make consumers aware of actions that are unpredictable and unsafe.


 **NOTICE** – indicates special instructions that are important but not related to hazards.

READ AND FOLLOW ALL INSTRUCTIONS




 **WARNING** – Read and follow all instructions in this owner's manual and on the equipment. Failure to follow instructions can cause severe injury and/or death.




 **WARNING – ELECTRIC SHOCK HAZARD.** MOUNTING A LUMINAIRE THAT REQUIRES BONDING OR GROUNDING IN THIS NICHE CAN CAUSE SEVERE INJURY AND/OR DEATH. DO NOT MOUNT NON-UL LISTED LIGHTS OR ANY LUMINAIRE THAT REQUIRES BONDING OR GROUNDING IN THIS NICHE.



 **WARNING – Risk of Electric Shock.** Hazardous voltage can shock, burn, and cause death or serious property damage. All electrical wiring **MUST** be in conformance with applicable local codes, regulations, and the National Electrical Code (NEC). To reduce the risk of electric shock, do **NOT** use an extension cord to connect unit to electric supply. Provide a properly located electrical receptacle. Before working on any electrical equipment, turn off power supply to the equipment.



 **WARNING – Risk of Electric Shock.** Opening light can cause shock, burn and severe injury. Light has no user serviceable parts inside. Do not open light.

 **NOTICE** – This swimming pool product is UL listed for permanently installed pools or spas only. It is not listed for storable pools or spas. Permanently installed pools and spas are those constructed in or partially in the ground and all others capable of holding water in a depth greater than 42 in (1.07 m). Storable pools and spas are those constructed on or above the ground and capable of holding water to a maximum of 42 in (1.07 m).



 **WARNING – Electrical shock hazard.** Damage to wiring can cause severe injury or death. To reduce the risk of electric shock replace damaged wiring immediately. Locate conduit to prevent abuse from lawn mowers, hedge trimmers and other equipment.



HAYWARD®

⚠ WARNING – Suction Entrapment Hazard. Suction in suction outlets and/or suction outlet covers which are, damaged, broken, cracked, missing, or unsecured can cause severe injury and/or death due to the following entrapment hazards:



Hair Entrapment – Hair can become entangled in suction outlet cover.



Limb Entrapment – A limb inserted into an opening of a suction outlet sump or suction outlet cover that is damaged, broken, cracked, missing, or not securely attached can result in a mechanical bind or swelling of the limb.



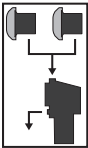
Body Suction Entrapment – A negative pressure applied to a large portion of the body or limbs can result in an entrapment.



Evisceration/Disembowelment – A negative pressure applied directly to the intestines through an unprotected suction outlet sump or suction outlet cover which is, damaged, broken, cracked, missing, or unsecured can result in evisceration/ disembowelment.

Mechanical Entrapment – There is potential for jewelry, swimsuit, hair decorations, finger, toe or knuckle to be caught in an opening of a suction outlet cover resulting in mechanical entrapment.

⚠ WARNING – To Reduce the risk of Entrapment Hazards:



- When outlets are small enough to be blocked by a person, a minimum of two functioning suction outlets per pump must be installed. Suction outlets in the same plane (i.e. floor or wall), must be installed a minimum of three feet (3') [1 meter] apart, as measured from near point to near point.
- Dual suction fittings shall be placed in such locations and distances to avoid “dual blockage” by a user.
- Dual suction fittings shall not be located on seating areas or on the backrest for such seating areas.
- The maximum system flow rate shall not exceed the flow rating of as listed on Table 1.
- Never use Pool or Spa if any suction outlet component is damaged, broken, cracked, missing, or not securely attached.
- Replace damaged, broken, cracked, missing, or not securely attached suction outlet components immediately.
- In addition two or more suction outlets per pump installed in accordance with latest ASME, APSP Standards and CPSC guidelines, follow all National, State, and Local codes applicable.
- Installation of a vacuum release or vent system, which relieves entrapping suction, is recommended.

⚠ WARNING – Failure to remove pressure test plugs and/or plugs used in winterization of the pool/spa from the suction outlets can result in an increase potential for suction entrapment as described above.

⚠ WARNING – Failure to keep suction outlet components clear of debris, such as leaves, dirt, hair, paper and other material can result in an increase potential for suction entrapment as described above.



HAYWARD®

▲ WARNING – Suction outlet components have a finite life, the cover/grate should be inspected frequently and replaced at least every ten years or if found to be damaged, broken, cracked, missing, or not securely attached.

▲ CAUTION – Components such as the filtration system, pumps and heater must be positioned so as to prevent their being used as means of access to the pool by young children. To reduce risk of injury, do not permit children to use or climb on this product. Closely supervise children at all times. Components such as the filtration system, pumps, and heaters must be positioned to prevent children from using them as a means of access to the pool.



▲ WARNING – Hazardous Pressure. Pool and spa water circulation systems operate under hazardous pressure during start up, normal operation, and after pump shut off. Stand clear of circulation system equipment during pump start up. Failure to follow safety and operation instructions could result in violent separation of the pump housing and cover, and/or filter housing and clamp due to pressure in the system, which could cause property damage, severe personal injury, or death. Before servicing pool and spa water circulation system, all system and pump controls must be in off position and filter manual air relief valve must be in open position. Before starting system pump, all system valves must be set in a position to allow system water to return back to the pool. Do not change filter control valve position while system pump is running. Before starting system pump, fully open filter manual air relief valve. Do not close filter manual air relief valve until a steady stream of water (not air or air and water) is discharged.



▲ WARNING – Separation Hazard. Failure to follow safety and operation instructions could result in violent separation of pump and/or filter components. Strainer cover must be properly secured to pump housing with strainer cover lock ring. Before servicing pool and spa circulation system, filters manual air relief valve must be in open position. Do not operate pool and spa circulation system if a system component is not assembled properly, damaged, or missing. Do not operate pool and spa circulation system unless filter manual air relief valve body is in locked position in filter upper body. Never operate or test the circulation system at more than 50 PSI. Do not purge the system with compressed air. Purging the system with compressed air can cause components to explode, with risk of severe injury or death to anyone nearby. Use only a low pressure (below 5 PSI), high volume blower when air purging the pump, filter, or piping.



▲ WARNING – Risk of Electric Shock. All electrical wiring MUST be in conformance with applicable local codes, regulations, and the National Electric Code (NEC). Hazardous voltage can shock, burn, and cause death or serious property damage. To reduce the risk of electric shock, do NOT use an extension cord to connect unit to electric supply. Provide a properly located electrical receptacle. Before working on any electrical equipment, turn off power supply to the equipment. To reduce the risk of electric shock replace damaged wiring immediately. Locate conduit to prevent abuse from lawn mowers, hedge trimmers and other equipment. Do NOT ground to a gas supply line.



▲ WARNING – Risk of Electric Shock. Failure to ground all electrical equipment can cause serious or fatal electrical shock hazard. Electrical ground all electrical equipment before connecting to electrical power supply.



HAYWARD®



▲ WARNING – Risk of Electric Shock. Failure to bond all electrical equipment to pool structure will increase risk for electrocution and could result in injury or death. To reduce the risk of electric shock, see installation instructions and consult a professional electrician on how to bond all electrical equipment. Also, contact a licensed electrician for information on local electrical codes for bonding requirements.

Notes to electrician: Use a solid copper conductor, size 8 or larger. Run a continuous wire from external bonding lug to reinforcing rod or mesh. Connect a No. 8 AWG (8.4 mm²) [No. 6 AWG (13.3 mm²) for Canada] solid copper bonding wire to the pressure wire connector provided on the electrical equipment and to all metal parts of swimming pool, spa, or hot tub, and metal piping (except gas piping), and conduit within 5 ft. (1.5 m) of inside walls of swimming pool, spa, or hot tub.

IMPORTANT – Reference NEC codes for all wiring standards including, but not limited to, grounding, bonding and other general wiring procedures.



▲ WARNING – Risk of Electric Shock. The electrical equipment must be connected only to a supply circuit that is protected by a ground-fault circuit-interrupter (GFCI). Such a GFCI should be provided by the installer and should be tested on a routine basis. To test the GFCI, push the test button. The GFCI should interrupt power. Push reset button. Power should be restored. If the GFCI fails to operate in this manner, the GFCI is defective. If the GFCI interrupts power to the electrical equipment without the test button being pushed, a ground current is flowing, indicating the possibility of an electrical shock. Do not use this electrical equipment. Disconnect the electrical equipment and have the problem corrected by a qualified service representative before using.

▲ CAUTION – Hayward® pumps are intended for use with permanently-installed pools and may be used with hot tubs and spas if so marked. Do not use with storable pools. A permanently-installed pool is constructed in or on the ground or in a building such that it cannot be readily disassembled for storage. A storable pool is constructed so that it is capable of being readily disassembled for storage and reassembled to its original integrity.

SAVE THESE INSTRUCTIONS



HAYWARD®

Before You Begin

Compatibility

The Hayward WFB200 ColorLogic Bubbler is compatible with the following Hayward ColorLogic 320 Accent Light models:

Light SKU	Description
LACUS11xxx	ColorLogic 320 Accent
LAWUS11xxx	CrystalLogic 320 Accent

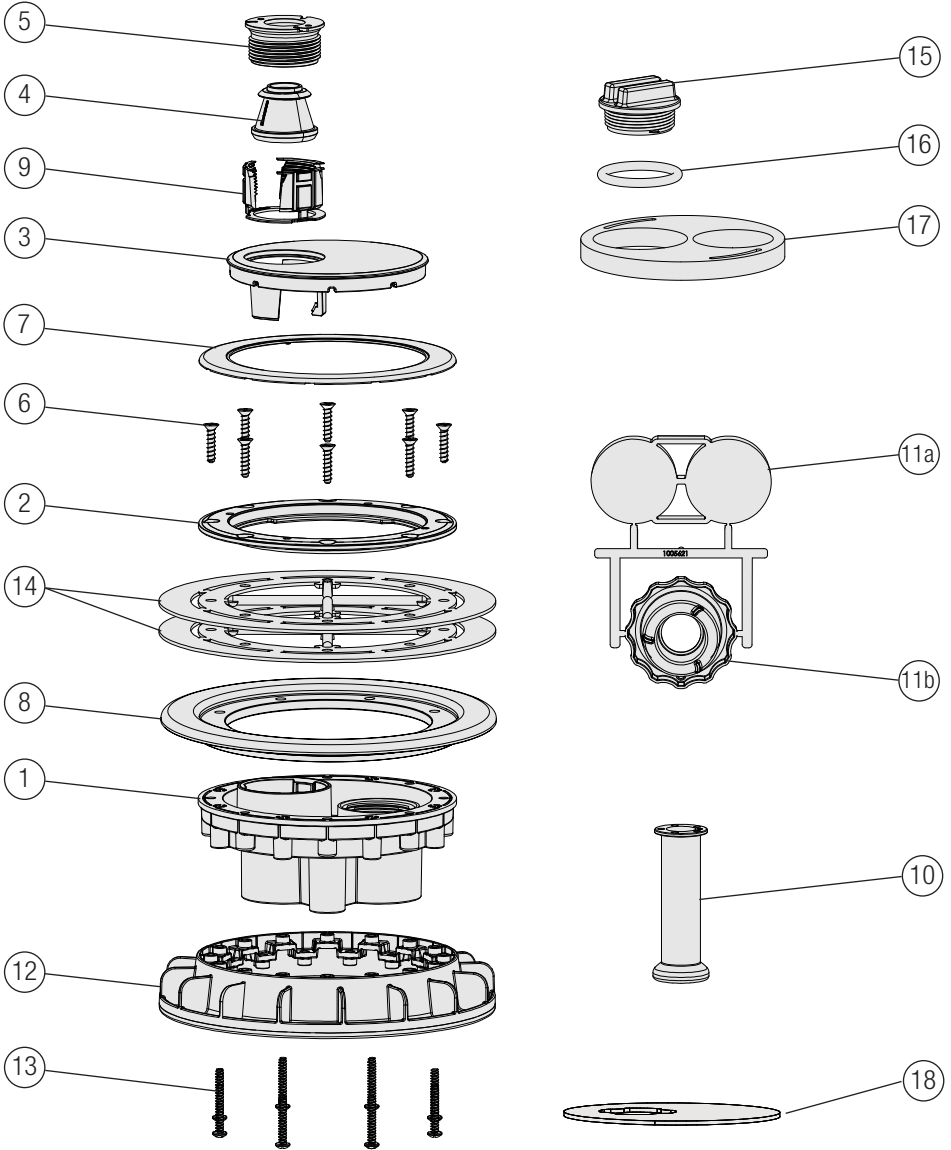
What's Included

Refer to the following table and image for a list of all items included with the Hayward WFB200 ColorLogic Bubbler.

Item No.	Part Number	Description	Qty.
1	1002916	Housing	1
2	1000653	Mounting Ring	1
3	1002913	Lens	1
4	G1-046396	Nozzle	1
5	1002917	Nozzle Nut	1
6	SP1030Z1	Screw - 13-9 X 1-1/4, SS, PHL, FL	9
7	1000649	Cover Ring	1
8	1000657	Plaster Ring	1
9	1004360	Threaded Insert	1
10	G1-046491	Extender Nozzle	1
11a	1005621	Pipe Spacer	1
11b	1005621	ColorLogic Bubbler Tool	1
12	1006115	Clamp, Bubbler	1
13	1006182	Screw, Plastite®, 10-14, SS 1.25	9
14	1006168	Large and Small Gasket Combo	2
15	SP1022CA2	Winterizing Plug, Threaded, Blk	1
16	1017210	Winterizing O-Ring	1
17	1015110	Winterizing Insert	1
18	1019780	Debris Cover	1



HAYWARD®

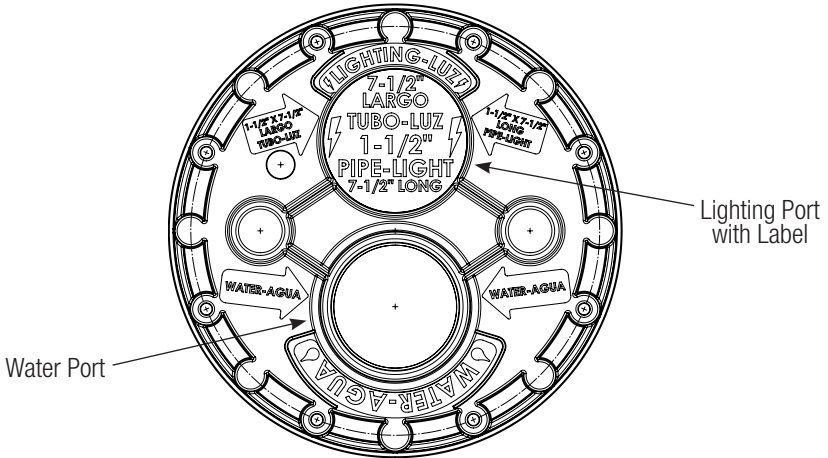




HAYWARD®

Plumbing

IMPORTANT: The ports are NOT reversible! Clearly mark the plumbing and electrical lines.



WFB200 Bottom View

IMPORTANT: For the best combination of water and light, mount the ColorLogic Bubbler no more than 12" [30.5 cm] below the water surface.

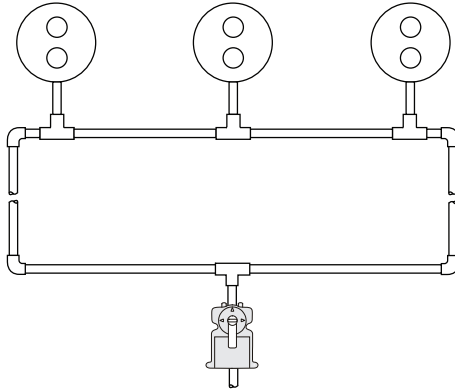
3/4" [1.9 cm] Nozzle Orifice										
	in.	cm	in.	cm	in.	cm	in.	cm	in.	cm
Water Depth	4	10.2	6	15.2	8	20.3	10	25.4	12	30.5
15 gpm [57 lpm]	10	25.4	7	17.8	5	12.7	4	10.2	2	5.1
20 gpm [76 lpm]	14	35.6	9	22.9	8	20.3	5	12.7	5	12.7
25 gpm [95 lpm]	19	48.3	13	33	11	27.9	8	20.3	7	17.8
30 gpm [114 lpm]	28	71.1	20	50.8	15	38.1	12	30.5	10	25.4
35 gpm [132 lpm]	38	96.5	26	66	19	48.3	15	38.1	13	33
40 gpm [151 lpm]	52	132.1	34	86.4	23	58.4	18	45.7	15	38.1
3/8" [0.95 cm] Nozzle Orifice										
	in.	cm	in.	cm	in.	cm	in.	cm	in.	cm
Water Depth	4	10.2	6	15.2	8	20.3	10	25.4	12	30.5
10 gpm [38 lpm]	12	30.5	7	17.8	7	17.8	5	12.7	4	10.2
15 gpm [57 lpm]	30	76.2	18	45.7	12	30.5	10	25.4	6	15.2
20 gpm [76 lpm]	55	139.7	28	71.1	17	43.2	14	35.6	11	27.9



HAYWARD®

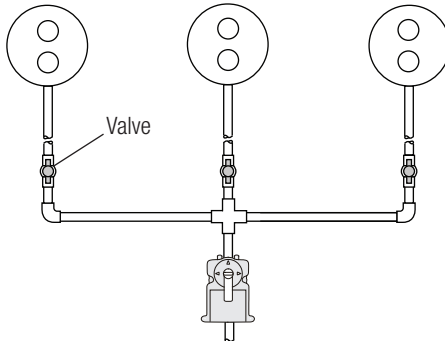
If finite control is desired: Install an in-line flow control valve to adjust the height and flow of the water stream from the ColorLogic Bubbler.

Looped Plumbing Scheme (Bubblers installed at same depth)



From Pool or Spa Water Supply

Separate Plumbing Scheme (Bubblers installed at different depths)



From Pool or Spa Water Supply



HAYWARD®

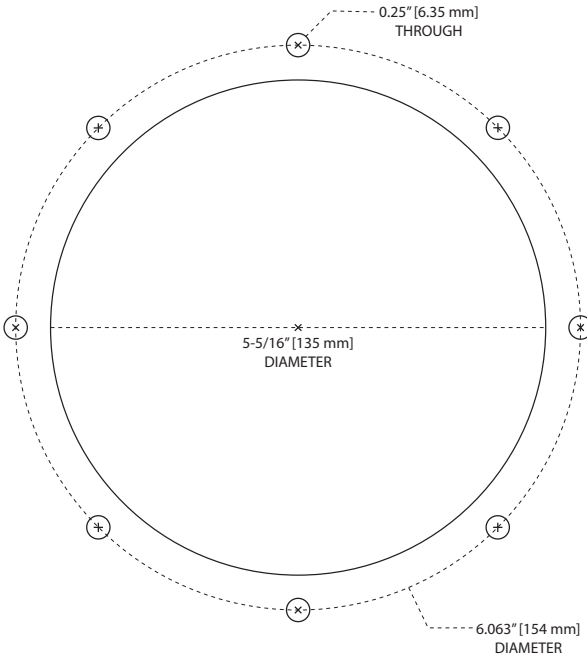
1/4" - 3/8" Fiberglass Installation

IMPORTANT: The following steps are for fiberglass pools up to 3/8" [10mm] thickness. For pools with a fiberglass thickness up to 2" [51 mm], refer to the steps beginning on page 12.

1

From the TOP of the fiberglass, drill holes according to dimensions below.
(when drilling holes, use Mounting Ring as a marking guide)

5-5/16" [135mm] Hole Saw and 1/4" Drill Bit Required.

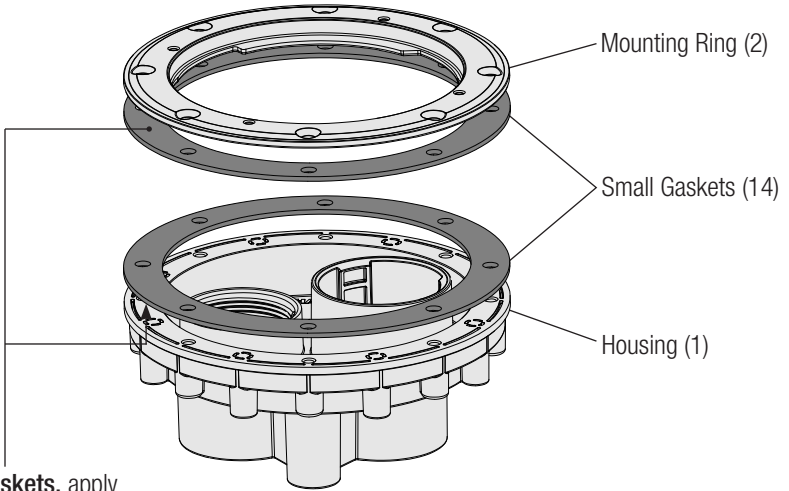




HAYWARD®

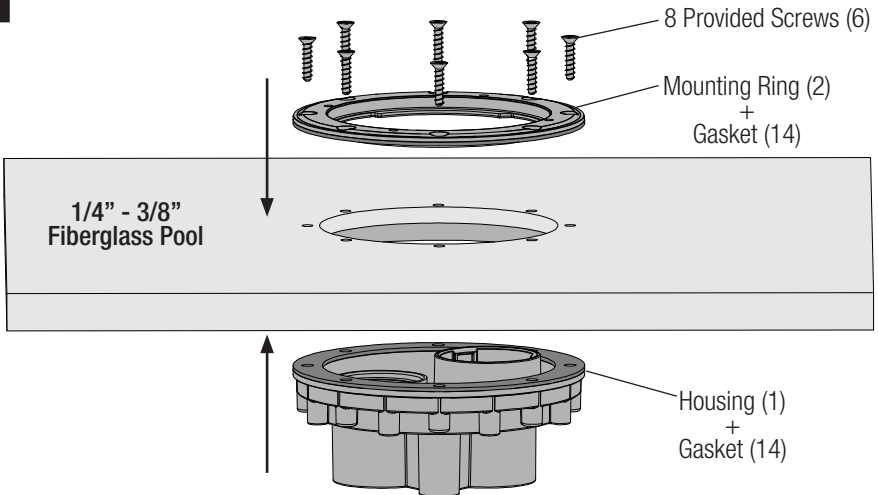
2

If NOT using gaskets, skip to step 3.



If using gaskets, apply RTV silicone or spray adhesive here.

3

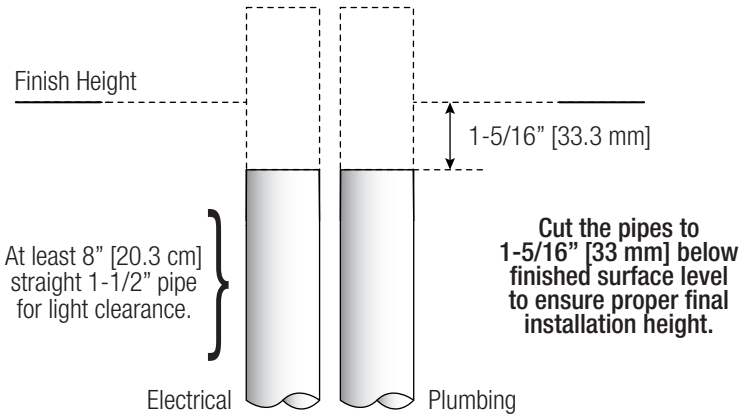


IMPORTANT: Do not overtighten. Do not use power tools.

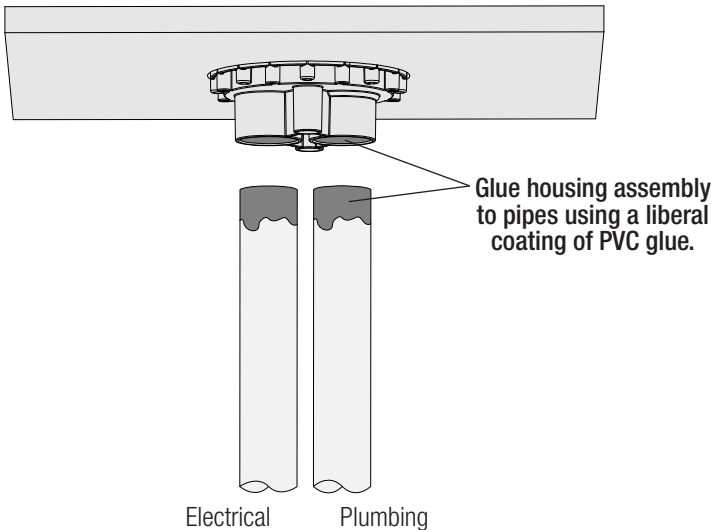


HAYWARD®

4



5



IMPORTANT: The ports are NOT reversible! Be sure to glue the pipes to the correct ports.



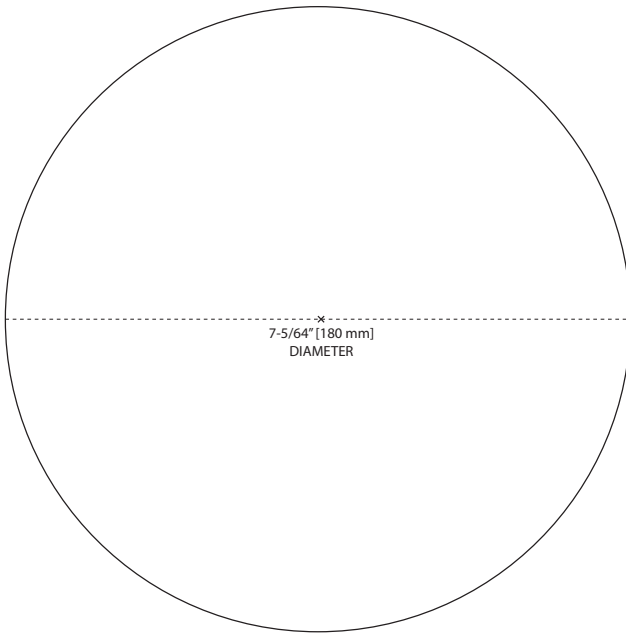
HAYWARD®

3/8" - 2" Fiberglass Installation

IMPORTANT: The following steps are for fiberglass pools up to 2" [51mm] thickness. For pools with a fiberglass thickness up to 3/8" [10mm], refer to the steps beginning on page 9.

1 From the TOP of the fiberglass, drill a hole according to dimension below.

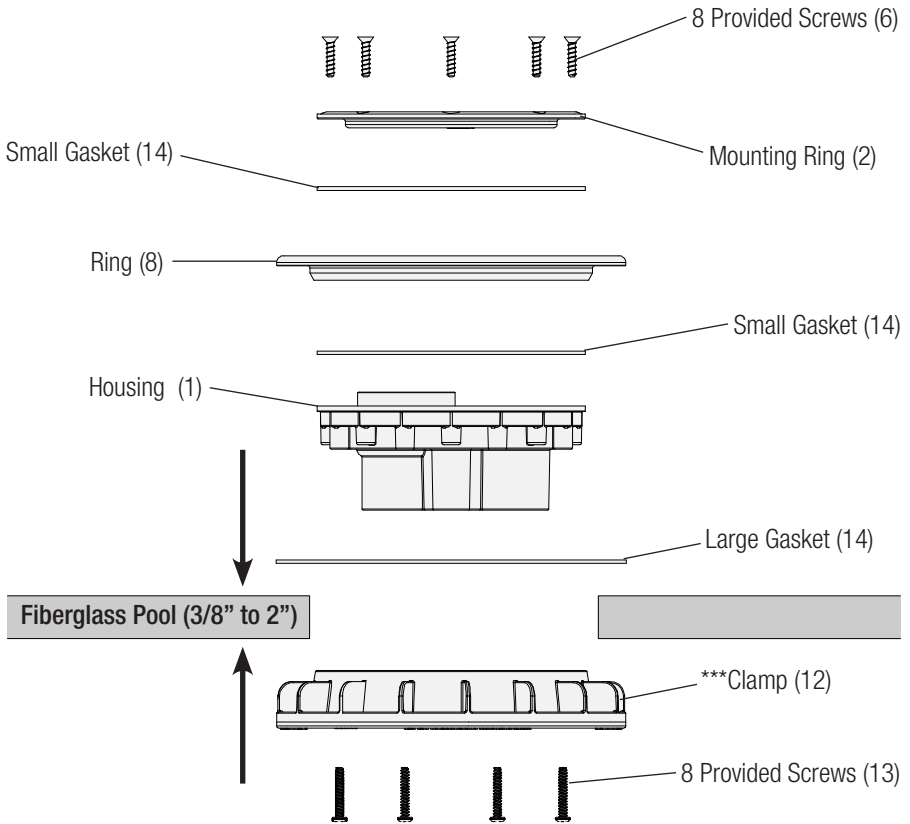
7-5/64" [180mm] Hole Saw Required





2

Assemble the parts and clamp to the fiberglass pool as illustrated below. **No adhesive is required.**



*****IMPORTANT:** Orientation of the Clamp depends on the thickness of the fiberglass pool. Refer to Steps 2A - 2D for more information.

2A

Thickness Up to 11/16" [18mm]

Page 14

2B

Thickness Between 11/16" [18mm] and 1-3/16" [30mm]

Page 14

2C

Thickness Between 1-3/16" [30mm] and 1-5/8" [43mm]

Page 15

2D

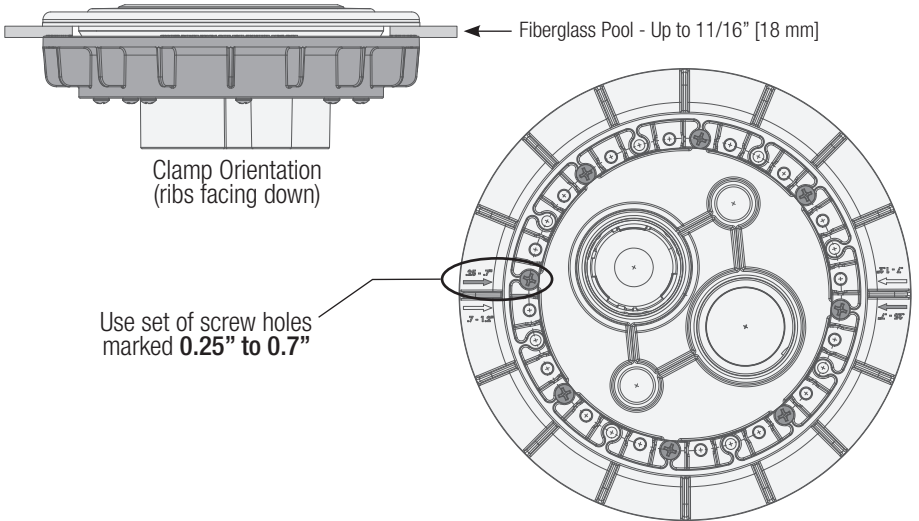
Thickness Between 1-5/8" [43mm] and 2" [51mm]

Page 15

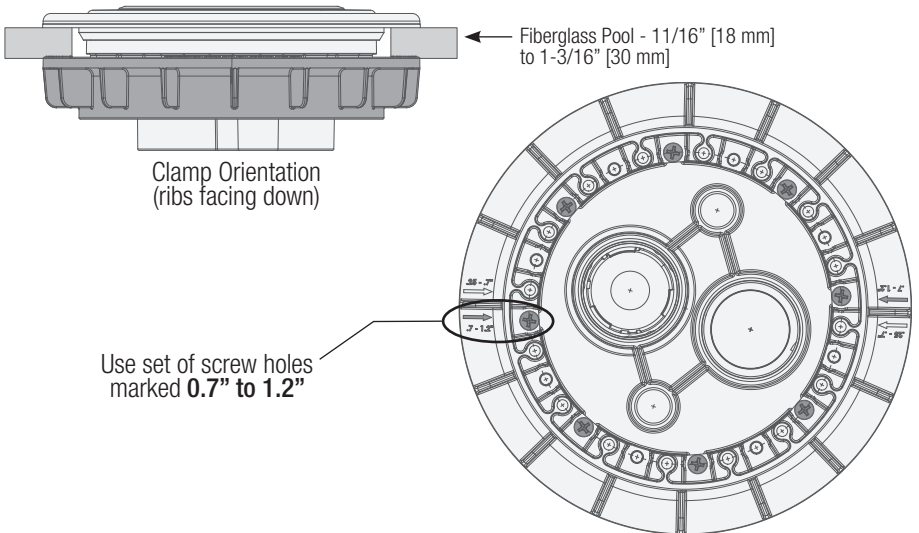


HAYWARD®

2A - Thickness Up to 11/16" [18mm]



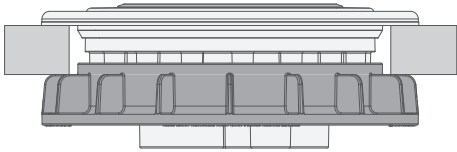
2B - Thickness Between 11/16" [18mm] and 1-3/16" [30mm]





HAYWARD®

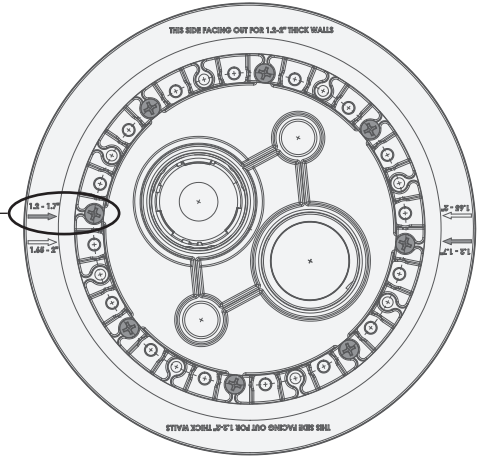
2C - Thickness Between 1-3/16" [30mm] and 1-5/8" [43mm]



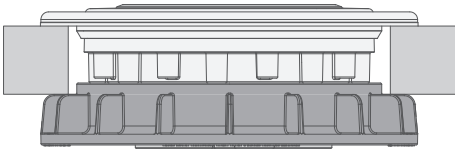
Clamp Orientation
(ribs facing up)

← Fiberglass Pool - 1-3/16" [30 mm]
to 1-5/8" [43 mm]

Use set of screw holes
marked 1.2 to 1.7"



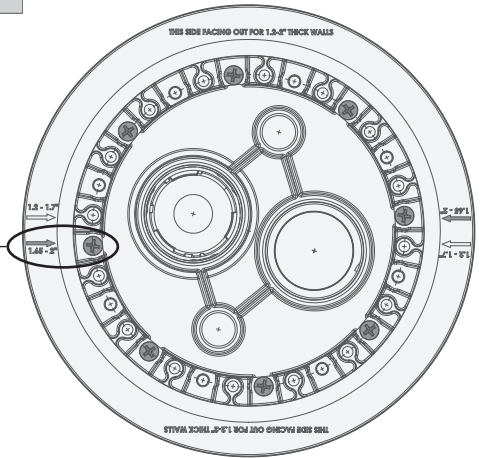
2D - Thickness Between 1-5/8" [43mm] and 2" [51mm]



Clamp Orientation
(ribs facing up)

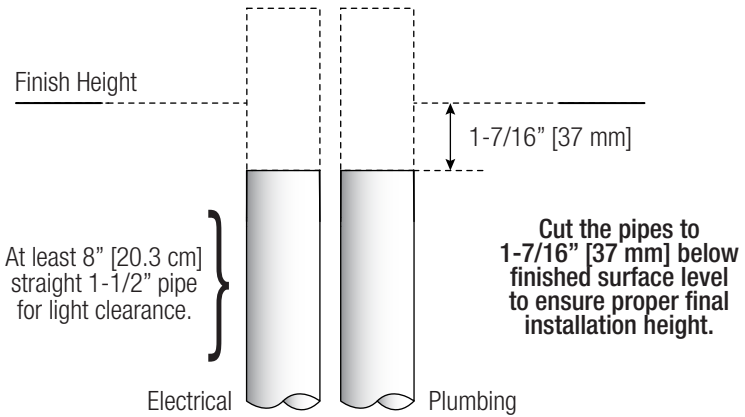
← Fiberglass Pool - 1-5/8" [43 mm]
to 2" [51 mm]

Use set of screw holes
marked 1.65 to 2.0"

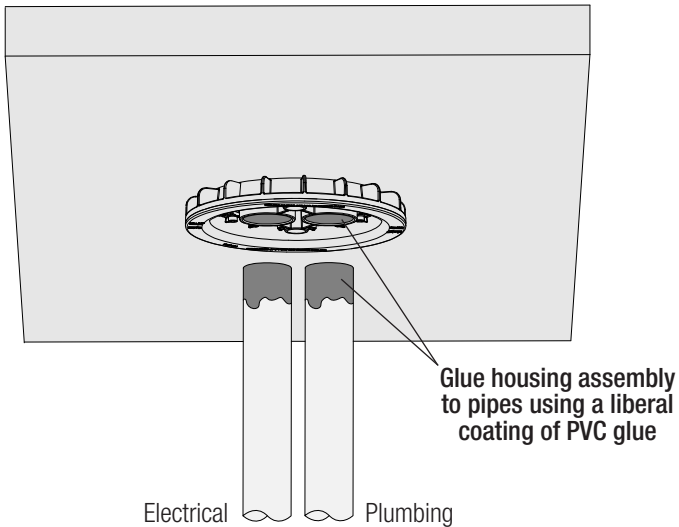




3



4



IMPORTANT: The ports are NOT reversible! Be sure to glue the pipes to the correct ports.

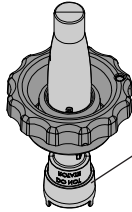


HAYWARD®

Light Installation (Optional)

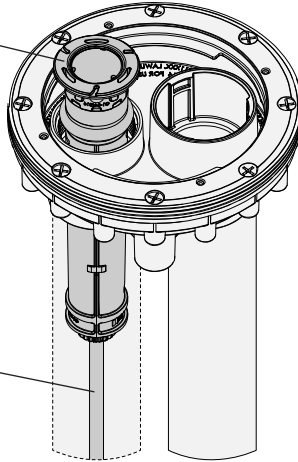
1

Turn **clockwise**
until snug.



Combine Bubbler Tool (11b)
and Accent Light Tool (Included
with light)

Hayward CL 320/160
Accent Light inserted into
electrical port



Housing Assembly
(installed in pool)

Feed cord through
conduit

IMPORTANT: Do not overtighten! Overtightening can cause leaks.

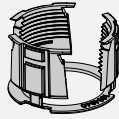
IMPORTANT: Wire the light as instructed in the Accent Light Owner's manual.



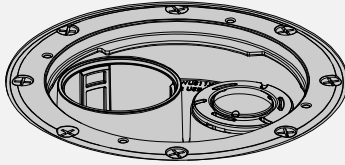
HAYWARD®

Nozzle and Lens Installation

1

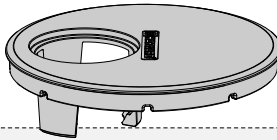


Install Threaded Insert (10) into water port.

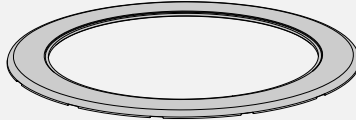


Finished Surface

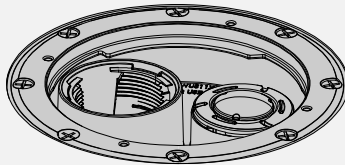
2



Lens (3)



Cover Ring (7)



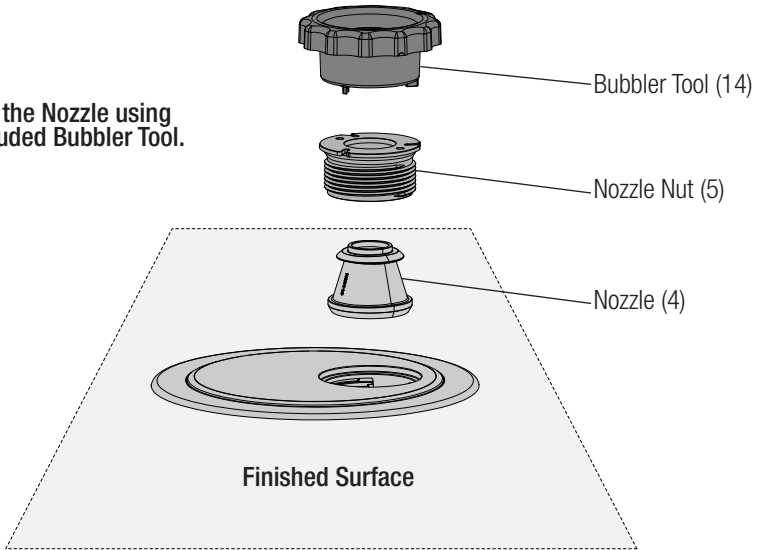
Finished Surface



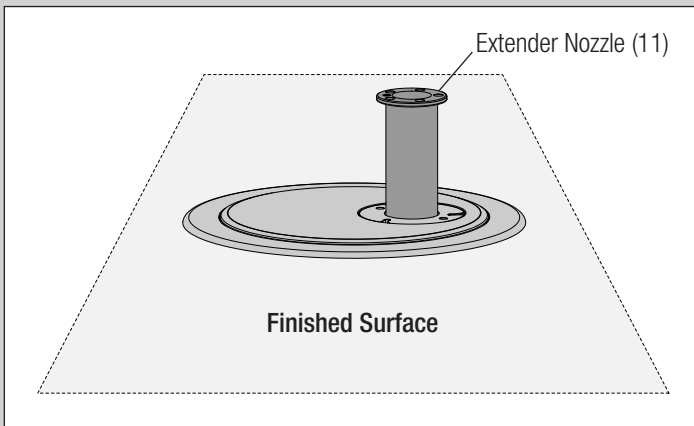
HAYWARD®

3

Install the Nozzle using the Included Bubbler Tool.



IMPORTANT - If the ColorLogic Bubbler creates an undesirable vortex or swirl during operation, the included Extender Nozzle (11) can be used to mitigate the effect. Use the Bubbler Tool (14) to remove the existing Nozzle Nut (5) and Nozzle (4), then insert the Extender Nozzle as shown below and reinstall the Nozzle Nut.

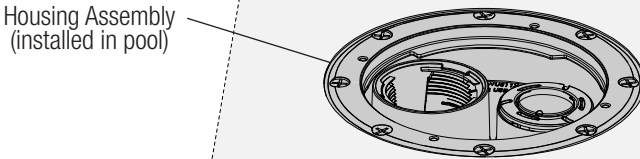
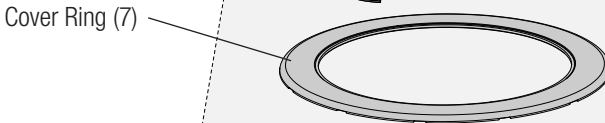
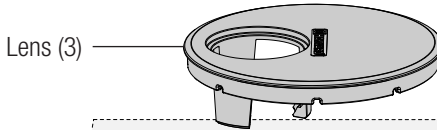
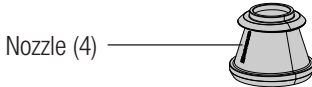
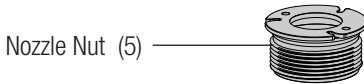




HAYWARD®

Winterization

1



Fiberglass Pool

Remove the Nozzle Nut using the provided Bubbler Tool (11b). Then, remove the Nozzle, Lens, and Cover Ring. Store them in a safe place until the next pool season.





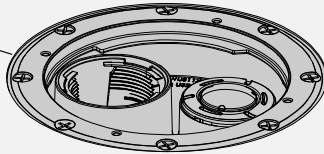
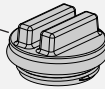
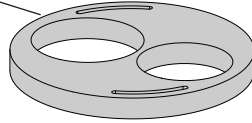
HAYWARD®

2

Winterization Insert (17)

Winterization Plug (15) and O-Ring (16)

Housing Assembly (installed in pool)

Install the Winterization Kit (GLXBWNRKIT) into the water port of the housing assembly as shown.

Fiberglass Pool

Replacement Parts

Part Number	Description	
GLXBKTNOZ	Extender Nozzle	
GLXB200THRDKT	Bubbler 200 Threaded Insert	
GLXB200TRMLNSKT	Bubbler 200 Trim, Nozzles, Nuts and Lens Kit (GRY, DK GRY, WHT)	Includes: <ul style="list-style-type: none"> • Cover Ring (Color) • Bubbler 3/4" Nozzle (Color) • Bubbler 3/8" Nozzle (Color) • Plaster Ring (Color) • Nozzle Nut (Color) • ColorLogic Bubbler Tool
GLXB200WNRKIT	Bubbler 200 Winterizing Kit	Includes: <ul style="list-style-type: none"> • Winterizing Inserts (Qty. 2) • Winterizing O-Ring • Winterizing Threaded Plug • ColorLogic Bubbler Tool
GLXB200GSKTKT	Bubbler 200 Gaskets and Screws	Includes: <ul style="list-style-type: none"> • Screws: Plastite, 10-14, SS 1.25 (Qty. 9) • Screws: 13-9 X 1-1/4, SS, PHL, FL (Qty. 9) • Gaskets (Qty. 2) • Mounting Ring



HAYWARD®

HAYWARD® Pool Products Limited Warranty

Hayward Pool Products, Inc., warrants the components of this product to be free from defects in materials and workmanship during the warranty period. Please visit <https://hayward.com/support/resources/warranty> for product warranty details.

The limited warranty excludes damage from freezing, negligence, improper installation, improper use or care, Acts of God or as specified in installation and operations manual. Parts that fail or become defective during the warranty period shall be repaired or replaced, at our option.

Proof of purchase is required for warranty service. In the event proof of purchase is not available, the manufacturing date of the product will be the sole determination of the purchase date.

To obtain warranty service, please contact the place of purchase or the nearest Hayward Authorized Service Center. For assistance on your nearest Hayward Authorized Service Center, please visit us at <https://hayward.com/dealerlocator>.

Hayward shall not be responsible for cartage, removal, repair or installation labor or any other such costs incurred in obtaining warranty replacements or repair.

The Hayward Pool products warranty does not apply to components manufactured by others. For such products, the warranty established by the respective manufacturer will apply.

The express limited warranty above constitutes the entire warranty of Hayward Pool Products with respect to its pool products and is in lieu of all other warranties expressed or implied, including warranties of merchantability or fitness for a particular purpose. In no event shall Hayward Pool products be responsible for any consequential, special or incidental damages of any nature.

Some states do not allow a limitation on how long an implied warranty lasts, or the exclusion of incidental or consequential damages, so the above limitation may not apply to you. This warranty gives you specific legal rights, and you may also have other rights, which vary from state to state.

Hayward Industries, 1415 Vantage Park Dr., Suite 400, Charlotte, NC 28203

***Supersedes all previous publications**

Register your product at <https://hayward.com/support/resources/warranty/product-registration>

For further information or consumer
technical support, visit our website at
www.hayward.com



Hayward is a registered trademark and ColorLogic® is a
trademark of Hayward Industries, Inc. © 2026 Hayward Industries, Inc.

All other trademarks not owned by Hayward are the property of their respective owners. Hayward is not in any way
affiliated with or endorsed by those third parties. For patent information, refer to www.hayward.com/patents.

USE ONLY HAYWARD GENUINE REPLACEMENT PARTS