



# MaxFlo® VS

Variable-Speed Pump

THE PUMP THAT PAYS FOR  
ITSELF FASTER



EXPERT LINE®



ONLY FROM POOL PROS



3+ YEAR PARTS & LABOR WARRANTIES\*

\*When sold by a Totally Hayward® Partner. Exclusions, other terms and conditions may apply — visit [hayward.com/expert](http://hayward.com/expert) for details.

**Intuitive control pad** can be rotated in four directions on the pump or removed and wall mounted



**See-through strainer cover** lets you see when the basket needs cleaning

**1 1/2" x 2" union connections** allow for seamless installation in any application

**Advanced hydraulic design** offers increased efficiency and incredibly quiet operation, especially at lower speeds

**ENERGY-EFFICIENT DESIGN**

MaxFlo® VS is designed to pay for itself faster than larger, more expensive models. Built with dual-voltage capability and a permanent magnet, totally enclosed fan-cooled motor, it cuts energy costs by up to 80% per year.

**UNIVERSAL COMPATIBILITY**

A MaxFlo VS pump is an easy, drop-in upgrade that can operate in standalone mode or connect to any automation system, either directly or with relays.

**UPGRADE AND SAVE**

Compatible with the entire MaxFlo line for seamless retrofitting, the MaxFlo VS includes 8 customizable speed and timer functions as well as a 24-hour programmable clock to monitor power consumption and maximize energy savings.

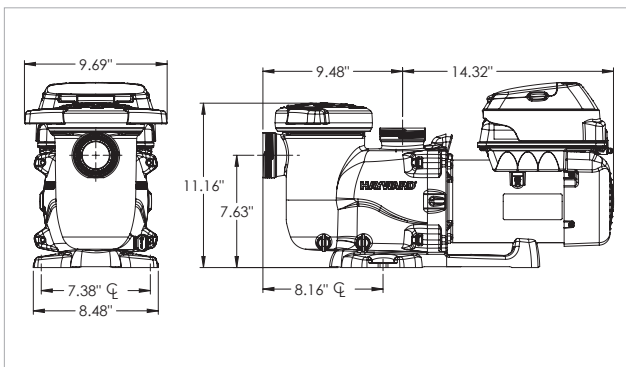


**SPECIFICATIONS**

MODEL NUMBER	TOTAL HP	VOLTAGE	WEIGHTED ENERGY FACTOR (WEF)*	UNION CONNECTIONS	WARRANTY
SP2303VSP	1.65	230V	10.7	1.5" x 2"	3 years
SP23115VSP	0.85	115V	11.5	1.5" x 2"	3 years

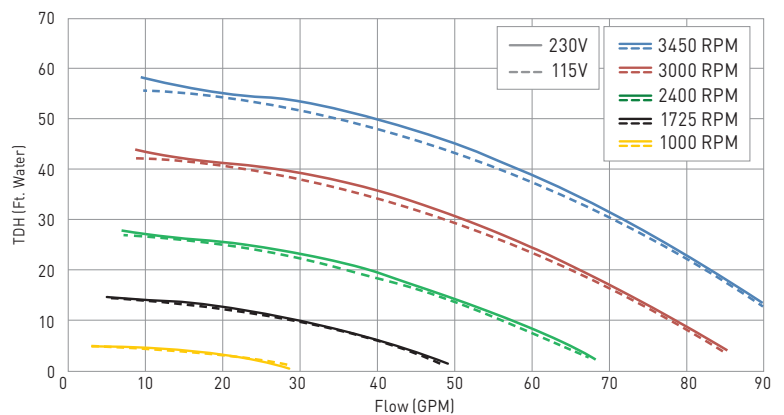
\*The higher the weighted energy factor (WEF), the more efficient the pump. Visit [hayward.com/regulations](http://hayward.com/regulations) for more information.

**MAXFLO VS DIMENSIONS (INCHES)**



MaxFlo VS pumps are listed by:

**MAXFLO VS PERFORMANCE COMPARISON**



» [hayward.com](http://hayward.com) » 1-888-HAYWARD

Pumps » Filters » Heaters » Sanitization » Automation » Lighting » Water Features » Cleaners » Safety

Hayward, Hayward & Design, the H logo, MaxFlo and We Build Better. are registered trademarks of Hayward Industries, Inc. ENERGY STAR is a registered mark owned by the U.S. government. All other trademarks not owned by Hayward are the property of their respective owners. Hayward is not in any way affiliated with or endorsed by those third parties. © 2022 Hayward Industries, Inc.

LITMAXFLVS22

