



ColorLogic Landscape

Bullet LED Light

Owner's Manual

	<p>Contents</p> <p>Safety Instructions.....1</p> <p>What's Included.....3</p> <p>Before You Begin.....3</p> <p>Installation.....8</p> <p>Operation.....12</p> <p>Warranty.....18</p>
---	---

LLBUS22AB3
LLBUS22BL3
LLBUS22BZ3

Hayward Industries
1415 Vantage Park Dr., Suite 400
Charlotte, NC 28203
Phone: (908) 355-7995
www.hayward.com



HAYWARD®

IMPORTANT SAFETY INSTRUCTIONS

Basic safety precautions should always be followed, including the following. Failure to follow instructions can cause death and/or severe injury.

READ AND FOLLOW ALL INSTRUCTIONS



▲ WARNING – Risk of Electric Shock. NEVER attempt any work without shutting off the electricity.

- Read all instructions before installing.
- System is intended for installation by a qualified electrician in accordance with the National Electrical Code and local regulations.
- Place the wall switch in the "OFF" position.
- Go to the main fuse box or circuit breaker. Unscrew the fuse(s) or switch "OFF" the circuit breaker switch(es) that control the power to the space that you are working on.



▲ WARNING – Risk of Electric Shock. Install all fixtures in accordance with the provisions set forth in the National Electrical Code, Article 411. For installations less than 10 ft (3.05m) from a pool, spa, or fountain, refer to the National Electrical Code, Article 680.



▲ WARNING – Risk of Electric Shock. This fixture must be installed in accordance with the National Electric Code and local code specifications. Failure to follow these codes and installation instructions will void the warranty and may result in serious injury and/or damage to the fixture. When using multiple fixtures, do not exceed the total wattage load as specified by the transformer rating. This product is designed for above ground installation only. Always use UL listed wire and wire connectors for connections. Do not operate the fixture if the hood is missing or damaged.

▲ CAUTION – All parts must be used as indicated in these instructions. Do not substitute any parts, leave parts out, or use any parts that are worn out or broken. Failure to follow this instruction could invalidate the cETLus listing of this fixture.

NOTICE – The components of this light fixture cannot be replaced. Handle all parts with care. Any damage to the light, including electrical and wiring components, necessitates replacing the entire light.

This device complies with part 15 of the FCC Rules. Operation is subject to the following two conditions:

- (1) This device may not cause harmful interference, and
- (2) this device must accept any interference received, including interference that may cause undesired operation.

This Class B device complies with CAN ICES-5(B) / NMB-5(B), Ce appareil de la classe B est conforme à la NMB-005 du.



HAYWARD®

Supplier's Declaration of Conformity
47 CFR § 2.1077 Compliance Information

Product Information

Product Type: Landscape Light
Model Name: ColorLogic Landscape
Model Number: LLBUS22BL3, LLBUS22AB3, LLBUS22BZ3

Applicable Standards: FCC Part 15, Subpart B:2019

This device complies with related rules, operation is subject to the following two conditions:

- (1) This device may not cause harmful interference, and
- (2) This device must accept any interference received, including interference that may cause undesired operation.

The test result has been evaluated by Best Verification LLC. as shown in the test report.

Test Report Number: BTR66.01.0302, BTR66.01.0303

It is understood that each unit marketed is identical to the device as tested, and any changes to the device that could adversely affect the emission characteristics will require retest.

The following responsible party designated in FCC §2.909 is responsible for this declaration:

Company Name: Hayward Pool Products
Company Address: One Hayward Industrial Drive Clemmons, NC 27012
Company Website: <https://www.hayward.com/>

SAVE THESE INSTRUCTIONS

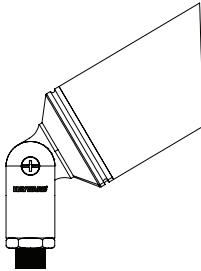


HAYWARD®

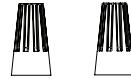
What's Included



Mounting Stake



Bullet Light Fixture



Outdoor Rated Wire Nut (x 2)

Before You Begin

IMPORTANT: To prolong the life of your product, do not energize fixtures in direct sunlight.

Plan Your Layout

Complete a layout plan to ensure a smooth installation process.

1. Sketch a dimensionally accurate layout of the installation location. Identify buildings and other large structures. If you already have a transformer installed, mark its location.
2. Mark where you plan to place each light fixture, noting groups where lights are close together. If you already have a transformer installed, be mindful of the fixture(s) distance from the transformer (see page 4).
3. Measure the distance between fixtures.
4. If you do not have a transformer installed, determine a transformer location that will minimize the length of main wire branch to prevent voltage drop.
5. Map out the wire connections between fixtures and to your transformer. Add up the total amount of wire you will need.



HAYWARD®

Ensure the low voltage cable will:

- Be protected by routing in close proximity to the luminaire or fitting next to a building structure such as a house or deck.
- Not be buried more than 6 inches (15.2 cm).

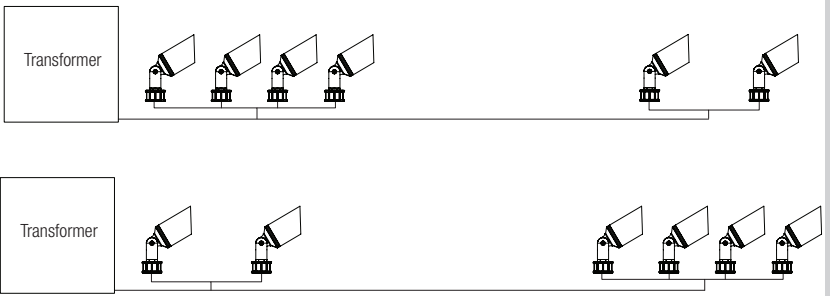
Determine Appropriate Wiring

PLEASE READ BEFORE PROCEEDING

Refer to the Wire Gauge tables on pages 5 and 6 to determine the appropriate cable gauge and transformer power based on the total number of fixtures and wire length.

Electrical Specifications	
Input Rating	12-15 VAC, 7.5W
Maximum Supply Wire Length	500 ft

IMPORTANT: When installing a new construction with multiple lights, position high-power groups closer to the transformer.



IMPORTANT: For longer wire lengths with multiple fixtures, use shorter sections and place the transformer at the midpoint of the total supply wire length. For example, use two 250 ft sections for 500 ft length.



Wire Gauge - 12 VAC Input

NOTE: This table is an approximation. When in doubt, use higher voltage and thicker cables. Consult an electrician if needed.

Cable length (ft)	Number of Fixtures				
	3	6	9	12	15
40	18 AWG	16 AWG	14 AWG	12 AWG	10 AWG
60	18 AWG	14 AWG	12 AWG	10 AWG	
80	16 AWG	14 AWG	12 AWG	10 AWG	
100	16 AWG	12 AWG	10 AWG		
140	14 AWG	12 AWG			
180	14 AWG	10 AWG			
220	12 AWG	10 AWG			
260	12 AWG				
300	12 AWG				
340	10 AWG				
380	10 AWG				
420	10 AWG				
460	10 AWG				
500	10 AWG				
Required Transformer Power (W)*	70 W	100 W	150 W	300 W	
Compatible Hayward Transformer	SKU: LTBUY11H70	SKU: 997012 25036	SKU: 997015 998001	SKU: LTBUY11300 LTSUY11300 998004 25037	

* Please adhere to the recommended transformer power to prevent significant power loss. Consult an electrician if needed.



HAYWARD®

Wire Gauge - 14 VAC Input

NOTE: This table is an approximation. When in doubt, use higher voltage and thicker cables. Consult an electrician if needed.

Cable length (ft)	Number of Fixtures									
	3	6	9	12	15	18	21	24	27	30
40	18 AWG	18 AWG	18 AWG	18 AWG	16 AWG	14 AWG	14 AWG	12 AWG	12 AWG	10 AWG
60	18 AWG	18 AWG	16 AWG	16 AWG	14 AWG	12 AWG	12 AWG	10 AWG	10 AWG	10 AWG
80	18 AWG	18 AWG	16 AWG	14 AWG	14 AWG	12 AWG	10 AWG	10 AWG		
100	18 AWG	16 AWG	14 AWG	14 AWG	12 AWG	10 AWG	10 AWG			
140	18 AWG	16 AWG	14 AWG	12 AWG	10 AWG	10 AWG				
180	16 AWG	14 AWG	12 AWG	10 AWG	10 AWG					
220	16 AWG	14 AWG	12 AWG	10 AWG						
260	16 AWG	12 AWG	10 AWG	10 AWG						
300	14 AWG	12 AWG	10 AWG							
340	14 AWG	12 AWG	10 AWG							
380	14 AWG	10 AWG								
420	12 AWG	10 AWG								
460	12 AWG	10 AWG								
500	12 AWG	10 AWG								
Required Transformer Power (W)*	70 W	100 W	150 W		300 W			600 W		
Compatible Hayward Transformer	SKU: LTBUY11H70	SKU: 997012 25036	SKUs: 997015 998001		SKUs: LTBUY11300 LTSUY11300 998004 25037			SKU: 997006		

* Please adhere to the recommended transformer power to prevent significant power loss. Consult an electrician if needed.



FOR INSTALLERS AND INSPECTORS

FIXTURE LISTING AND APPLICATION: The ColorLogic Landscape Lights are cETLus listed for use in low-voltage landscape lighting systems and have been evaluated for use with listed pool/spa transformers when installed in accordance with National Electric Code (NEC) requirements.

BONDING AND GROUNDING: The ColorLogic Landscape Lights are low-voltage luminaires that does not require bonding or grounding when powered by a listed landscape or pool/spa transformer and installed per the National Electric Code (NEC).

FOR GENERAL LANDSCAPE LIGHTING INSTALLATIONS: Install all fixtures in accordance with the provisions set forth in the National Electrical Code, Article 411.

FOR LIGHTING INSTALLATIONS NEAR POOLS, SPAS, FOUNTAINS, AND SIMILAR BODIES OF WATER: For installations less than 10 ft (3.05 m) from a pool, spa, or fountain, refer to the National Electrical Code, Article 680, and use one of the approved pool/spa transformers specified below.

TRANSFORMERS FOR GENERAL LANDSCAPE LIGHTING (UL 1838):
Not evaluated for installations near pool, spas, fountains, or similar bodies of water.

Transformer Brand	Transformer Model					
Sollos	100 W	120 W	150 W	200 W	300 W	600 W
	997012	997014	997015	997016	997017 998004	997013 997006

TRANSFORMERS FOR INSTALLATIONS NEAR POOL, SPAS, FOUNTAINS, AND SIMILAR BODIES OF WATER (UL 379):
May also be used for general landscape lighting.

Transformer Brand	Transformer Model			
	70 W	100 W	150 W	300 W
Hayward	LTBUY11H70 LTBUY11H14	25036: TR100-PP	-	LLBUY11300 LTSUY11300 25037: TR-300-PP
J&J	-	-	998001	998004

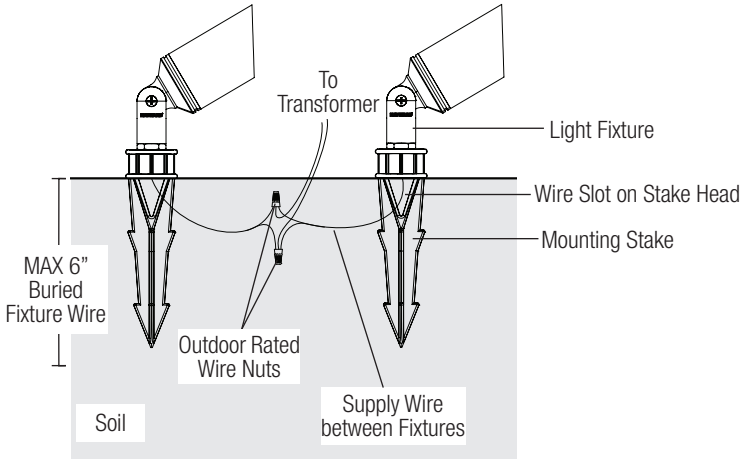
FOR TECHNICAL SUPPORT: Contact (908) 355-7995 (Hayward Product Support)



HAYWARD®

Installation

Installation and Mounting Overview



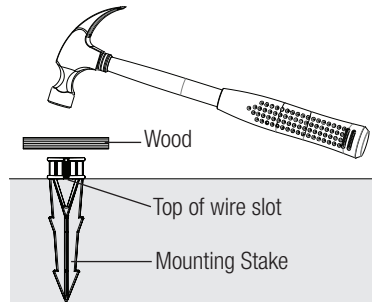
⚠ WARNING – Turn the main power OFF before proceeding. Connecting to live electricity may damage the light.

Mount the Stake

1. Position the stake in the ground.
2. Place a piece of wood on the stake. Hammer the wood until the top of the wire slot is flush with the ground.

If there's hard soil:

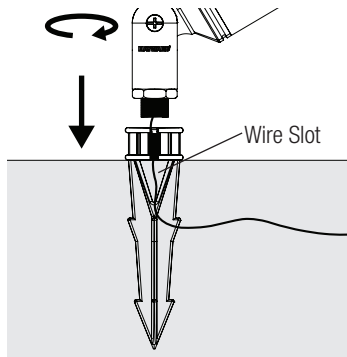
1. Dig a hole.
2. Place the stake so the top of the wire slot is flush with the ground.
3. Fill the hole and pack tight to secure the stake.



Install the Fixture

⚠ CAUTION – Be sure to maintain slack on the wires inside the fixture. Excess tension on the wiring could damage the light.

1. Screw the fixture onto the provided stake, leading the fixture wire through the wire slot in the stake.



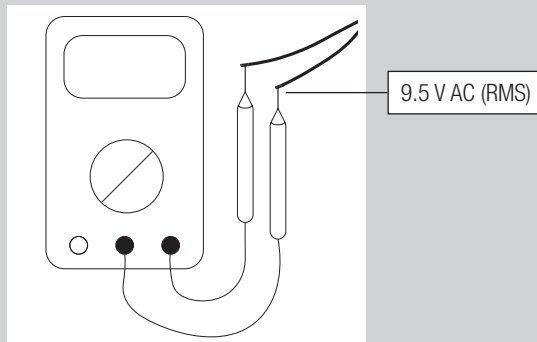
2. Repeat for other fixtures in the same electrical circuit.
3. Turn the main power supply back on and ensure the fixtures illuminate.

Make Wire Connections

IMPORTANT: Test to ensure fixtures illuminate throughout the wiring process.

NOTES FOR INSTALLERS

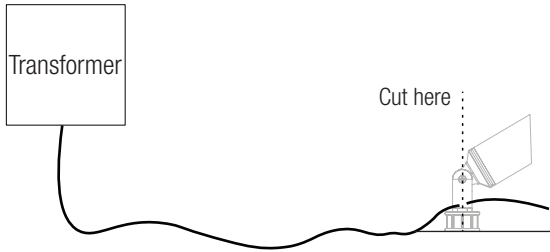
- Measure for voltage drop at each light throughout installation and with all other lights operating.
- Use the appropriate tap on the transformer for optimal performance.
- Be aware of the cumulative voltage drop from the cumulative current of each light.



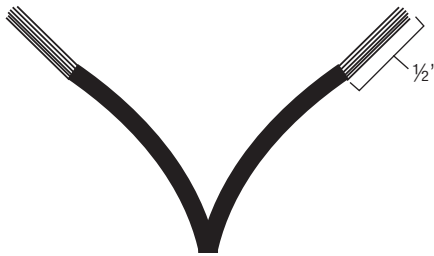


HAYWARD®

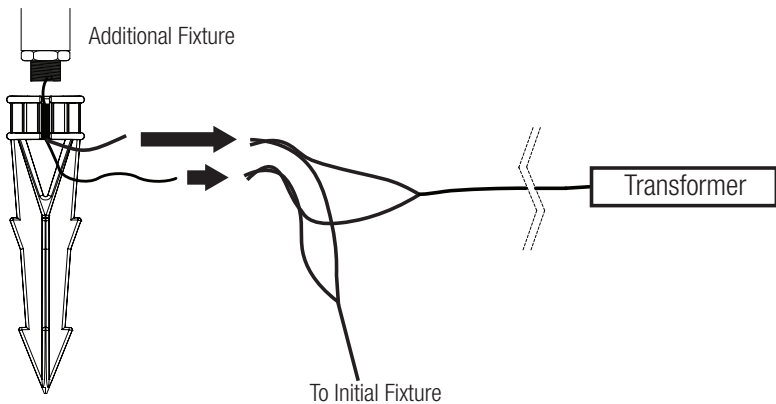
1. Cut the transformer supply wire at the fixture location.



2. Separate the supply wire and strip 1/2" of insulating material.

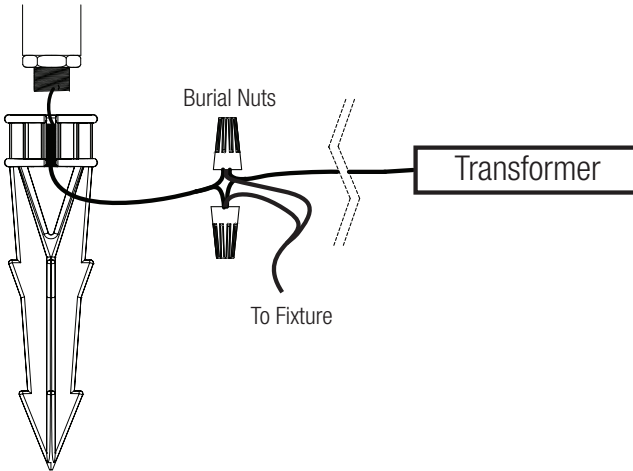


3. Connect the supply wire to the fixture wire by twisting the exposed copper strands.
4. If installing multiple fixtures, connect the wires of each additional fixture to the supply wire connection made in Step 3.



5. Secure the wire connections using the provided burial nuts.

IMPORTANT: If combining 18 AWG wires, do not exceed five wire connections in one burial nut.



6. Test to ensure the fixture illuminates. Repeat for each additional fixture.
7. Once you confirm that all connected fixtures illuminate at the appropriate voltage levels, bury the wire by digging a small trench.



HAYWARD®

Operation

ColorLogic Landscape Bullet LED light fixtures are designed to operate in 5:1 MODE: Universal ColorLogic, Pentair®, Jandy®, ColorSplash, OmniDirect Mode.

Universal ColorLogic Mode

Use this mode for installations with Hayward ColorLogic lights. The ColorLogic lights will operate in the same manner as the connected ColorLogic Landscape Bullet light(s).

Pentair® Mode

Use this mode when installing your new light in systems with Pentair Intellibrite® lights. The Pentair lights will operate in the same manner as the connected ColorLogic Landscape Bullet light(s).

Jandy® Mode

Use this mode when installing your new light in systems with Jandy lights. The Jandy lights will operate in the same manner as the connected ColorLogic Landscape Bullet light(s).

ColorSplash Mode

Use this mode for installations with ColorSplash lights. The ColorSplash lights will operate in the same manner as the connected ColorLogic Landscape Bullet light(s).

OmniDirect Mode

OmniDirect mode offers unique colors as well as speed and brightness control. It must be configured and controlled by a Hayward OmniLogic, OmniHub or other Omni type pool controller. Refer to the controller's manual for more information.

To change modes

1. Turn on lights and then turn off for 11-15 seconds. Repeat this sequence two more times. The light should blink one of five colors to indicate which mode is activated. Refer to the table below to determine which mode is currently active. Note that **new lights default to Universal ColorLogic mode.**

Mode	Color
Universal ColorLogic (Default)	Red
Pentair	White
Jandy	Blue
ColorSplash	Green
OmniDirect	Magenta

2. To change modes again, turn light off and back on. The light will then advance to the next mode. Repeat this sequence until you arrive at the desired mode.
3. When the light is set to the desired mode, remove power from the lights for at least one minute. The light will restart in the new mode the next time you turn it on.

To reset to Universal ColorLogic mode

Turn lights on then turn off for 11-15 seconds. Repeat sequence three (3) additional times (for a total of four) to set to Universal ColorLogic mode. The light show software mode protocol shall override any previous mode to ensure the ability to reset the light to the default setting.



Universal ColorLogic Mode

ColorLogic Landscape lights default to Universal ColorLogic mode when powered for the first time. Light colors and shows are controlled through power-cycling: a method of changing light programs by turning the light off and on, removing the need for a special controller or interface. The number assigned to each light show and color represents the number of power-cycles necessary to activate it.

- To activate the light: Turn on the switch.
- To deactivate the light: Turn off the switch.
- To advance to the next light program (fixed color or color show): Turn off the switch and turn back on within 10 seconds. Repeat until you reach the desired light program.

When the light has been off for over 60 seconds, and is first turned on, it will illuminate white for 15 seconds, then proceed to the last running fixed color or color show.

NOTE: Do not power cycle the light during the first 15 seconds of white to prevent losing synchronization with other connected lights.

Light Synchronization

ColorLogic lights can synchronize with other Hayward Universal ColorLogic lights so they all display the same colors and shows at the same time. For light synchronization, all lights must be wired to the same switch. Once installed, all lights should automatically synchronize. To re-synchronize your lights, turn the switch on, then back off. Wait between 11 and 14 seconds and turn the switch back on. When the lights come back on, they should enter Program #1 (Voodoo Lounge) and be synchronized.

Programs

Universal ColorLogic Light Shows and Solid Colors		
1. Voodoo Lounge (Show)	7. Cloud White (Solid Color)	13. Tranquility (Show)
2. Deep Blue Sea (Solid Color)	8. Warm Red (Solid Color)	14. Gemstone (Show)
3. Royal Blue (Solid Color)	9. Flamingo (Solid Color)	15. USA (Show)
4. Afternoon Skies (Solid Color)	10. Vivid Violet (Solid Color)	16. Mardi Gras (Show)
5. Aqua Green (Solid Color)	11. Sangria (Solid Color)	17. Cool Cabaret (Show)
6. Emerald (Solid Color)	12. Twilight (Show)	



Pentair Mode

Light colors and shows are controlled through power-cycling: a method of changing light programs by turning the light off and on, removing the need for a special controller or interface. The number assigned to each light program represents the number of power-cycles necessary to activate it.

- To activate the light: Turn on the switch.
- To deactivate the light: Turn off the switch.
- To select a light program (fixed color or color show): Turn the switch off and back on the number of times that corresponds to your desired show or color. Use the table below to determine how many power cycles are required for each light program.

NOTE: The number of power cycles is always the same for each program, even if another program is currently active. Always select a program using its corresponding number of cycles.

Light Synchronization

ColorLogic lights can synchronize with Pentair Intellibrite® lights so they all display the same colors and shows at the same time. For light synchronization, all lights must be wired to the same switch. Once installed, all lights should automatically synchronize.

Programs

Pentair Program Name	Light Shows and Solid Colors
1. SAM Show	Cycles through white, magenta, blue and green colors
2. Party Show	Rapid color changing building energy and excitement
3. Romance Show	Slow color transitions creating a mesmerizing and calming effect
4. Caribbean Show	Transitions between a variety of blues and greens
5. American Show	Patriotic red, white and blue transition
6. California Sunset Show	Dramatic transitions of orange, red and magenta tones
7. Royal Show	Richer, deeper color tones
8. Blue	Fixed color
9. Green	Fixed color
10. Red	Fixed color
11. White	Fixed color
12. Magenta	Fixed color
13. Color Lock	Save current color effect during a color light show
14. Return	Activate last saved color effect

*Colors and shows may differ in appearance across light models, even when designed to produce equivalent effects, due to inherent LED properties and lighting conditions.

Color Lock Feature (Program 13)

You can select a non-standard solid color at any time by activating the color lock feature. The color lock feature allows you to stop a light show and “lock” on any color during an active light show. To “lock” a solid color, power cycle the pool light switch off/on thirteen times when the desired color is displayed during the active light show.



Return Feature (Program 14)

You can return to the last color locked color effect while in a light show mode or fixed solid colors by activating the return feature. To return to the last color locked color effect, power cycle fourteen times. After five seconds, the last saved color lock effect will be displayed.

When connected to a Pentair Controller: Select fixed colors and color shows using the controller. Refer to your control's manual to determine compatibility and for specific information about configuration and operation.

Jandy Mode

Light colors and shows are controlled through power-cycling: a method of changing light programs by turning the light off and on, removing the need for a special controller or interface. The number assigned to each light program represents the number of power-cycles necessary to activate it.

- To activate the light: Turn on the switch.
- To deactivate the light: Turn off the switch.
- To advance to the next light program (fixed color or color show): Turn off the switch and turn back on within 3 seconds. Repeat until you reach the desired light program.

If the light is off for 7 seconds or more, it will return to the most recently used color program when turned back on. This function allows you to keep your favorite color mode activated upon every start up.

Light Synchronization

ColorLogic lights can synchronize with Jandy lights so they all display the same colors and shows at the same time. For light synchronization, all lights must be wired to the same switch. Once installed, all lights should automatically synchronize. To re-synchronize your lights, turn the switch on, then back off, wait for 5 seconds and turn the switch back on. When the lights come back on, they should enter Program #1 (Alpine White) and be synchronized.

Programs

Jandy Light Shows and Solid Colors	
1. Alpine White (Solid Color)	8. Magenta (Solid Color)
2. Sky Blue (Solid Color)	9. Violet (Solid Color)
3. Cobalt Blue (Solid Color)	10. Slow Color Splash (Show)
4. Caribbean Blue (Solid Color)	11. Fast Color Splash (Show)
5. Spring Green (Solid Color)	12. America the Beautiful (Show)
6. Emerald Green (Solid Color)	13. Fat Tuesday (Show)
7. Emerald Rose (Solid Color)	14. Disco Tech (Show)

*Colors and shows may differ in appearance across light models, even when designed to produce equivalent effects, due to inherent LED properties and lighting conditions.

When connected to a Jandy Controller: Select fixed colors and color shows using the controller. Refer to your control's manual to determine compatibility and for specific information about configuration and operation.



ColorSplash Mode

Light colors and shows are controlled through power-cycling: a method of changing light programs by turning the light off and on, removing the need for a special controller or interface. The number assigned to each light program represents the number of power-cycles necessary to activate it.

- To activate the light: Turn on the switch.
- To deactivate the light: Turn off the switch.
- To select a light program (fixed color or color show): Turn the switch off and back on the number of times that corresponds to your desired show or color. Use the table below to determine how many power cycles are required for each light program.

NOTE: The number of power cycles is always the same for each program, even if another program is currently active. Always select a program using its corresponding number of cycles.

Light Synchronization

ColorLogic lights can synchronize with ColorSplash lights so they display the same colors and shows at the same time. For light synchronization, all lights must be wired to the same switch. Once installed, all lights should automatically synchronize.

Programs

ColorSplash Program Name	Light Shows and Solid Colors
1. Peruvian Paradise	Cycles through white, magenta, blue and green colors
2. Super Nova	Rapid color changing building energy and excitement
3. Northern Lights	Slow color transitions creating a mesmerizing and calming effect
4. Tidal Wave	Transitions between a variety of blues and greens
5. Patriot Dream	Patriotic red, white and blue transition
6. Desert Skies	Dramatic transitions of orange, red and magenta tones
7. Nova	Richer, deeper color tones
8. Parisian Blue	Fixed color
9. New Zealand Green	Fixed color
10. Brazilian Red	Fixed color
11. Arctic White	Fixed color
12. Miami Pink	Fixed color
13. Color Lock	Save current color effect during a color light show
14. Return	Activate last saved color effect

Color Lock Feature (Program 13)

You can select a non-standard solid color at anytime by activating the color lock feature. The color lock feature allows you to stop a light show and “lock” on any color during an active light show. To “lock” a solid color, power cycle the pool light switch off/on thirteen times when the desired color is displayed during the active light show.



HAYWARD®

Return Feature (Program 14)

You can return to the last color locked color effect while in a light show mode or fixed solid colors by activating the return feature. To return to the last color locked color effect, power cycle fourteen times. After five seconds the last saved color lock effect will be displayed.

Memory Mode

When your light fixtures are turned off for longer than 10 seconds, the light show or solid color on display will be stored. The next time the power is turned on, the fixture will display that saved memory light show or color.

OmniDirect Mode

OmniDirect mode offers unique colors as well as speed and brightness control. To use OmniDirect mode, the ColorLogic lights must be configured and controlled by a supporting Hayward “Omni” pool control. Compatible pool controls include the Hayward OmniLogic, OmniHub and OmniPL. Refer to your control’s manual to determine compatibility and for specific information about configuration and operation.

Programs

OmniDirect Light Shows and Solid Colors		
1. Show-Voodoo Lounge	10. Fixed-Vivid Violet	19. Fixed-Orange
2. Fixed-Deep Blue Sea	11. Fixed-Sangria	20. Fixed-Gold
3. Fixed-Royal Blue	12. Show-Twilight	21. Fixed-Mint
4. Fixed-Afternoon Skies	13. Show-Tranquility	22. Fixed-Teal
5. Fixed-Aqua Green	14. Show-Gemstone	23. Fixed-Burnt Orange
6. Fixed-Emerald	15. Show-USA	24. Fixed-Pure White
7. Fixed-Cloud White	16. Show-Mardi Gras	25. Fixed-Crisp White
8. Fixed-Warm Red	17. Show-Cool Cabaret	26. Fixed-Warm White
9. Fixed-Flamingo	18. Fixed-Yellow	27. Fixed-Bright Yellow



HAYWARD®

HAYWARD® Pool Products Limited Warranty

Hayward Pool Products, Inc., warrants the components of this product to be free from defects in materials and workmanship during the warranty period. Please visit <https://hayward.com/support/resources/warranty> for product warranty details.

The limited warranty excludes damage from freezing, negligence, improper installation, improper use or care, Acts of God or as specified in installation and operations manual. Parts that fail or become defective during the warranty period shall be repaired or replaced, at our option.

Proof of purchase is required for warranty service. In the event proof of purchase is not available, the manufacturing date of the product will be the sole determination of the purchase date.

To obtain warranty service, please contact the place of purchase or the nearest Hayward Authorized Service Center. For assistance on your nearest Hayward Authorized Service Center, please visit us at <https://hayward.com/dealerlocator>.

Hayward shall not be responsible for cartage, removal, repair or installation labor or any other such costs incurred in obtaining warranty replacements or repair.

The Hayward Pool products warranty does not apply to components manufactured by others. For such products, the warranty established by the respective manufacturer will apply.

The express limited warranty above constitutes the entire warranty of Hayward Pool Products with respect to its pool products and is in lieu of all other warranties expressed or implied, including warranties of merchantability or fitness for a particular purpose. In no event shall Hayward Pool products be responsible for any consequential, special or incidental damages of any nature.

Some states do not allow a limitation on how long an implied warranty lasts, or the exclusion of incidental or consequential damages, so the above limitation may not apply to you. This warranty gives you specific legal rights, and you may also have other rights, which vary from state to state.

Hayward Industries, 1415 Vantage Park Dr., Suite 400, Charlotte, NC 28203

***Supersedes all previous publications**

Register your product at <https://hayward.com/support/resources/warranty/product-registration>

For further information or consumer
technical support, visit our website at
www.hayward.com



Hayward is a registered trademark
of Hayward Industries, Inc. © 2026 Hayward Industries, Inc.

All other trademarks not owned by Hayward are the property of their respective owners. Hayward is not in any way
affiliated with or endorsed by those third parties. For patent information, refer to www.hayward.com/patents.

USE ONLY HAYWARD GENUINE REPLACEMENT PARTS