



# HAYWARD®

COMMERCIAL AQUATICS

## HCP 2000 Series

2" CLASS 3-PHASE PUMPS  
0.5-5 HP

POMPES À 3 PHASES DE 2 PO  
DE 0,5 À 5 HP



**1** YEAR  
WARRANTY

**NSF**

### EFFICIENT HYDRAULICS WITH OUTSTANDING VALUE.

HCP 2000 pumps outperform the competition in flow and efficiency while their lightweight design, union connections and tool-free lid opening make installation, service and maintenance easy.

### HYDRAULIQUE EFFICACE QUI OFFRE UNE VALEUR EXCEPTIONNELLE.

Les pompes HCP 2000 surpassent la concurrence en matière de débit et d'efficacité, tandis que leur conception légère, leurs raccords unions et l'ouverture du couvercle sans outil facilitent l'installation, l'entretien et les réparations.



#### POWERFUL PERFORMANCE

With the industry's most energy efficient hydraulics for 3 to 5 HP models and self-priming capability (suction lift up to 10' above water level),

#### PUISSANTE PERFORMANCE

Avec le système hydraulique le plus écoénergétique du secteur pour les modèles de 3 à 5 HP et une capacité d'auto-amorçage (levée d'aspiration jusqu'à 10 pi au-dessus du niveau de l'eau),



#### SUPERIOR STRAINER BASKET

HCP 2000 pumps feature a large, no-rib strainer basket for quick and easy cleaning.

#### PANIER DE CRÉPINE SUPÉRIEUR

Les pompes HCP 2000 sont dotées d'un grand panier de crépine sans rainures pour un nettoyage rapide et facile.



#### EASY INSTALLATION AND SERVICING

With 2" x 2½" union connections, installing and servicing HCP 2000 pumps is effortless.

#### INSTALLATION ET ENTRETIEN FACILES

Grâce aux raccords unions de 2 po x 2-½ po, l'installation et l'entretien des pompes HCP 2000 se font sans effort.



Clear Tri-Lock strainer cover  
Le couvercle de la crépine transparent Tri-Lock

Large, no-rib strainer basket  
Le grand panier de crépine sans rainures

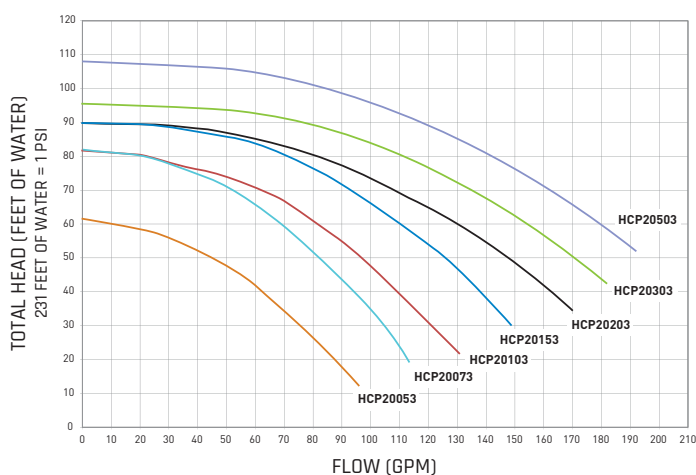
2" x 2½" union connections  
Des raccords unions 2 po x 2-½ po

Elevated base  
Une base surélevée

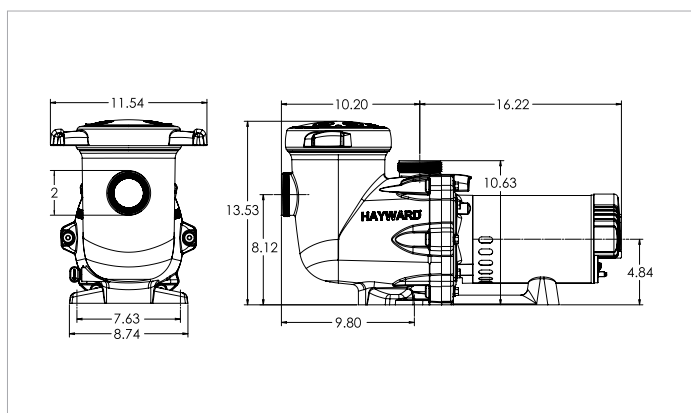
## TECHNICAL SPECIFICATIONS / SPÉCIFICATIONS TECHNIQUES

PART NUMBER	RATED H.P.	VOLTAGE	AMPS	HZ	UNION CONNECTIONS	CARTON WEIGHT (LBS.)	PUMP OUTPUT (GPM) VS. TOTAL RESISTANCE TO FLOW PER FT OF HEAD									
							20	30	40	50	60	70	80	90	100	
HCP20053	0.5	208-230/460 3-Phase	3.8-3.6/1.8	50/60	2" x 2.5"	41.0	87	76	62	44	14	—	—	—	—	
HCP20073	0.75	208-230/460 3-Phase	5-4.6/2.3	50/60	2" x 2.5"	49.0	104	95	85	71	53	23	—	—	—	
HCP3207C	0.75	330/575 3-Phase	5-4.6/2.3	50/60	2" x 2.5"	49.0	104	95	85	71	53	23	—	—	—	
HCP20103	1	208-230/460 3-Phase	6.4-5.8/2.9	50/60	2" x 2.5"	49.0	131	122	110	97	82	60	16	—	—	
HCP3210C	1	330/575 3-Phase	6.4-5.8/2.9	50/60	2" x 2.5"	49.0	131	122	110	97	82	60	16	—	—	
HCP20153	1.5	208-230/460 3-Phase	6.8-7/3.5	50/60	2" x 2.5"	49.0	150	148	140	126	112	94	70	—	—	
HCP3215C	1.5	330/575 3-Phase	6.8-7/3.5	50/60	2" x 2.5"	49.0	150	148	140	126	112	94	70	—	—	
HCP20203	2	208-230/460 3-Phase	8-8.4/4.2	50/60	2" x 2.5"	49.0	170	170	162	148	130	110	80	26	—	
HCP3220C	2	330/575 3-Phase	8-8.4/4.2	50/60	2" x 2.5"	49.0	170	170	162	148	130	110	80	26	—	
HCP20303	3	208-230/460 3-Phase	10.8-11.4/5.7	50/60	2" x 2.5"	49.0	190	190	186	174	155	138	114	72	—	
HCP3230C	3	330/575 3-Phase	10.8-11.4/5.7	50/60	2" x 2.5"	49.0	190	190	186	174	155	138	114	72	—	
HCP20503	5	208-230/460 3-Phase	13.4/6.7	60	2" x 2.5"	65.0	200	200	200	193	182	167	150	126	75	
HCP3250C	5	330/575 3-Phase	13.4/6.7	60	2" x 2.5"	65.0	200	200	200	193	182	167	150	126	75	




## PERFORMANCE DATA/ DONNÉES SUR LA PERFORMANCE



## DIMENSIONS (INCHES / PO)



» haywardpool.ca » 1-888-238-7665

HCP 2000 Series Pumps are listed by:   

Hayward, Hayward & Design and the H logo are registered trademarks of Hayward Canada and Hayward Industries, Inc. All other trademarks not owned by Hayward are the property of their respective owners. Hayward is not in any way affiliated with or endorsed by those third parties. © 2022 Hayward Industries, Inc.

LITCHCP200022C

 **HAYWARD**  
COMMERCIAL AQUATICS