



GLX-DRK

Dual Rectifier Retrofit Kit

Background: All Aqua Rite and Aqua Plus units use a device called a rectifier to convert the AC voltage coming from the transformer to the DC voltage that is used by the electronics and the cell. This device dissipates power and can get quite hot. To improve reliability, especially in hot weather conditions, all units with datecode 9807 and later will use two rectifiers. This improved design can also be retrofitted to older units with this kit.

Kit Contains: 2 rectifiers with thermally conductive mounting pads
2 wire harnesses (1 red, 1 black)
2 fuses (20A)
screw and nut for mounting the 2nd rectifier

Warranty: Hayward warrants that the parts supplied are free of defects in material and workmanship for 30 days after installation. Return (freight prepaid) any defective part to Hayward for replacement. Hayward will not pay for removal or re-installation of the part.

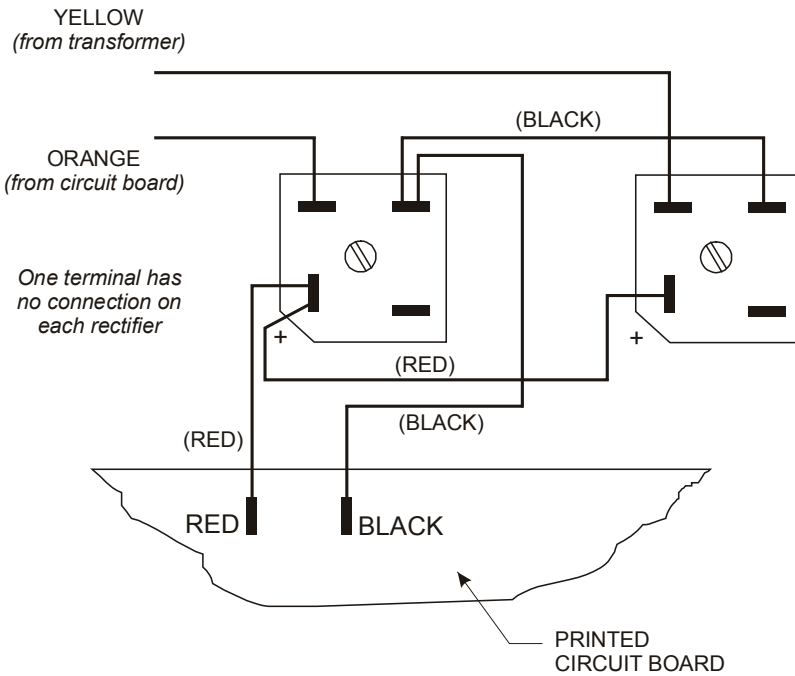
Procedure:

1. Use one of the rectifiers and pad to replace the existing rectifier. Tighten screw to ensure good thermal conductivity to box. Do NOT overtighten—threads will strip.
2. Drill a 7/32" diameter hole in side or bottom of the box for mounting of the 2nd rectifier. Remove all burrs from around the hole. In most cases, drilling the hole in the side is preferable because the box does not need to be removed from the wall. Make sure that the wire harnesses will reach from the first rectifier.
3. Mount the 2nd rectifier using the thermally conductive pad, screw and nut. Make sure the screw is tight for good heat transfer to the box.
4. Check fuse and replace if blown.
5. See the back of this sheet for wiring the Aqua Rite or Aqua Plus.

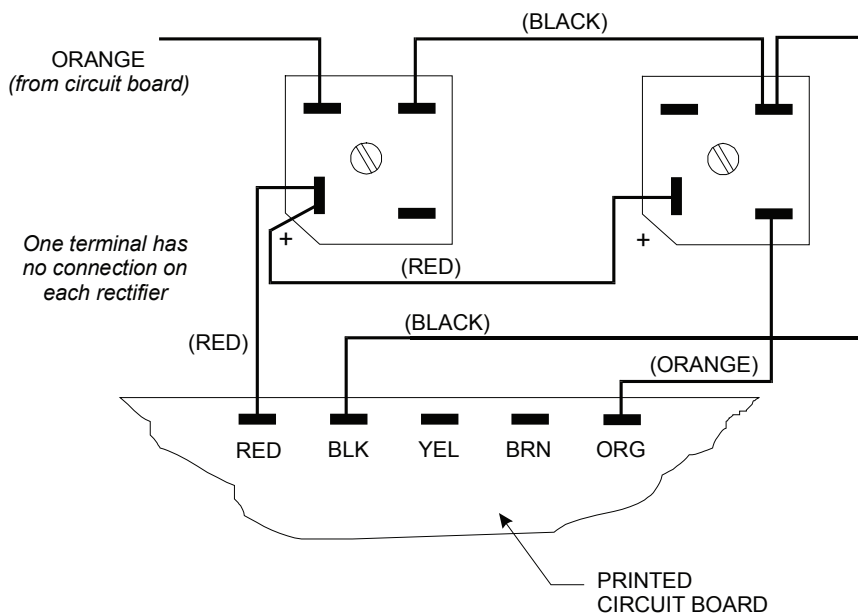
Hayward Industries
400 Connell Drive, Suite 6100
Berkeley Heights, NJ 07922
Phone: (908) 355-7995
www.hayward.com



HAYWARD®



**WIRING FOR
AQUA RITE**



**WIRING FOR
AQUAPLUS**

Hayward Industries
400 Connell Drive, Suite 6100
Berkeley Heights, NJ 07922
Phone: (908) 355-7995
www.hayward.com