



We Build Better.

Super Pump[®] VS 700

VS Series Pump with OmniX[®]

SUPERIOR DURABILITY
AND ULTRA-HIGH EFFICIENCY



EXPERT LINE[®]



ONLY FROM POOL PROS



3+ YEAR PARTS & LABOR WARRANTIES*

*When sold by a Totally Hayward[®] Partner. Exclusions, other terms and conditions may apply — visit hayward.com/expert for details.

EFFICIENT. RELIABLE. CONNECTED.

Super Pump VS 700 is built with dual voltage capability, and offers the savings of a VS pump without requiring costly rewiring. Built with a Viton® pump seal, extended warranties and totally enclosed fan-cooled (TEFC) motors to ensure durability and reliable performance. At the center is Hayward's Universal Display, delivering a consistent, intuitive control experience across Omni®, OmniX®, and competitive automation systems. With OmniX embedded intelligence, the pump provides enhanced programmability, advanced diagnostics, and seamless remote connectivity.



INTUITIVE INTERFACE

Designed with usability and flexibility in mind, the new universal display offers an improved user experience with advanced functionality.



UNIVERSAL COMMS

Seamlessly connect to most pool automation systems with integrated universal communication technology.



FLEXIBLE PERFORMANCE

Variable speed delivers flexibility whether you need efficient circulation or perfect laminars.

CONTROL FROM ANYWHERE WITH OMNI X APP AND GATEWAY*

- » Complete control from your smart device
- » Configure your equipment quickly and intuitively
- » Integrated user management tools for homeowners and pool professionals.

*Gateway sold separately



LEARN MORE





UNIVERSAL AUTOMATION

Seamlessly connects with Hayward and competitive systems.



SUPERIOR PERFORMANCE

Ideal for feature-rich pools that demand high flow rates.



MOBILE APP CONTROL

Remote access for total control to program and diagnose issues from anywhere.



SIMPLE AND INTUITIVE OPERATION

One consistent user interface and experience across all products with the built-in universal display.



SuperPump VS® 700
SP2670020VSPX1



EXPERT LINE™
ONLY FROM POOL PROS

- » **Upgraded dual-voltage motor drive** delivers 30% quieter high-speed operation than other models
- » **Permanent magnet**, totally enclosed fan-cooled motor combines unmatched efficiency and reliability
- » **Exclusive swing-away hand knobs** make for easy strainer cover removal without tools
- » **Chemical-resistant Viton® seal** offers improved resistance against chemical imbalances
- » **Wing nut drain plugs** are easy to open and close for winterizing
- » **Total Control — Advanced UI** delivers simple and intuitive programming, along with the flexibility of Omni or OmniX automation.

WORKS GREAT WITH OMNI X
COMPATIBLE GAS HEATERS
AND ACCESSORIES



UNIVERSAL
H-SERIES HEATER



UNIVERSAL HC
SERIES HEATER



OMNI X GATEWAY

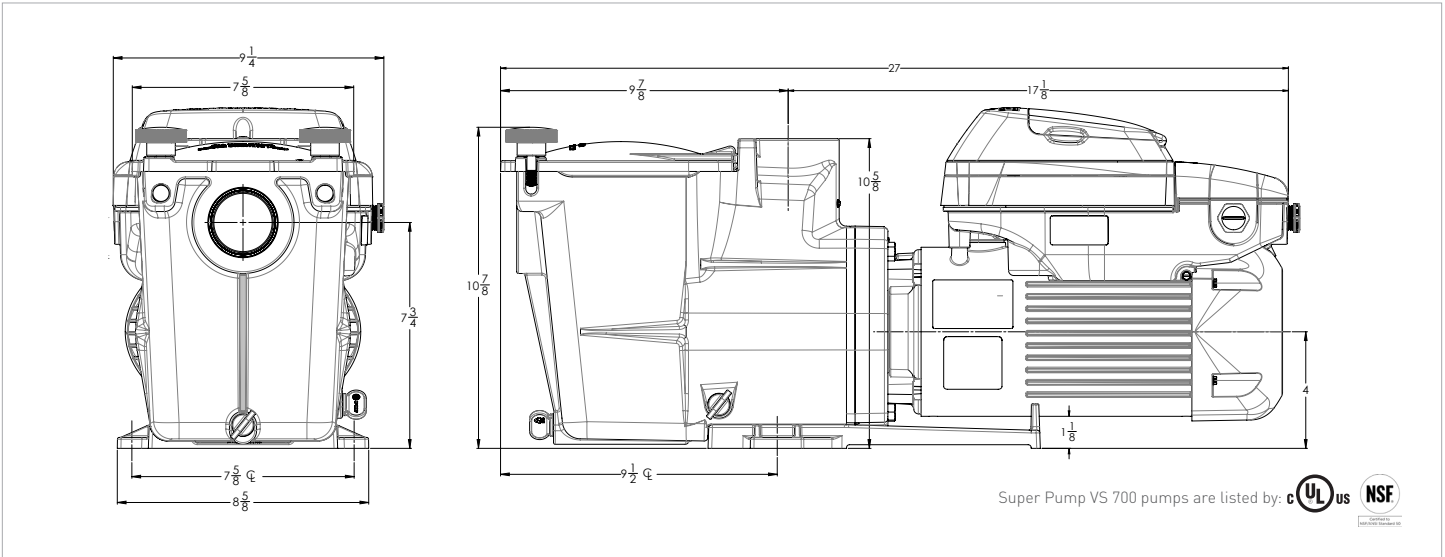
SPECIFICATIONS

MODEL NUMBER	TOTAL HP	AUTOMATION COMPATIBILITY	INPUT VOLTAGE	CURRENT RATING	WEF	PLUMBING CONNECTIONS	STRAINER VOLUME	WARRANTY
SP2670020VSPX1	1.65-0.85	OmniX / OmniLogic / Universal Comms*	115-230V	6.5 -7.2A	11.9-8.9	2" Unions	117 CU. IN.	3 years**

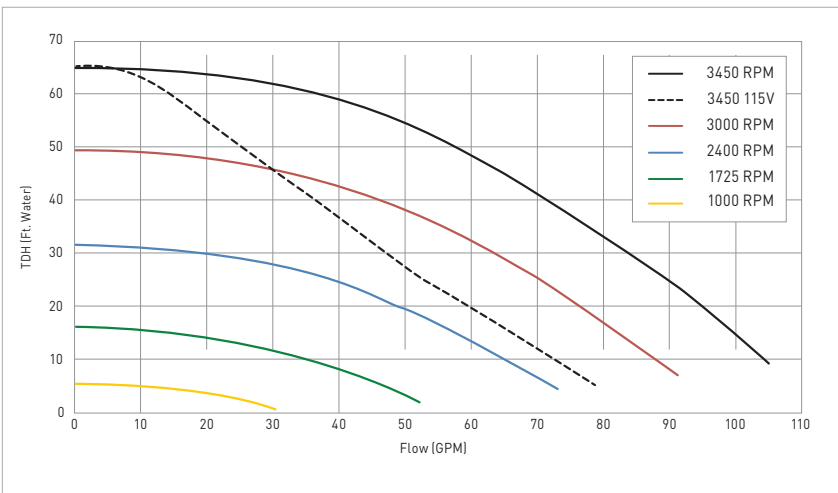
*Universal Comms allows for connectivity to competitive automation systems from Pentair and Jandy®.

**When sold by a Totally Hayward® partner. Exclusions, other terms and conditions may apply — visit hayward.com/expert for details.

SUPER PUMP VS 700 DIMENSIONS (INCHES)



SUPER PUMP VS 700 PERFORMANCE COMPARISON



**When sold by a Totally Hayward® partner. Exclusions, other terms and conditions may apply — visit hayward.com/expert for details.

» hayward.com » 1-888-HAYWARD

Pumps » Filters » Heaters » Water Quality » Automation » Lighting » Water Features » Cleaners » White Goods

Hayward, Hayward & Design, the H logo, Expert Line, OmniLogic, Super Pump, Omni, OmniLogic, and OmniX are registered trademarks of Hayward Industries, Inc. ENERGY STAR is a registered mark owned by the U.S. government. All other trademarks not owned by Hayward are the property of their respective owners. Hayward is not in any way affiliated with or endorsed by those third parties. ©2026 Hayward Industries, Inc.

LITSPVS70026

