



Booster Pump 300

For Pressure Cleaners

TEFC MOTOR FOR RELIABILITY
AND PERFORMANCE



EXPERT LINE®

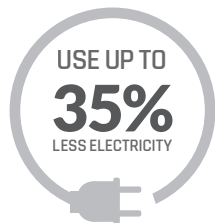


ONLY FROM POOL PROS



3+ YEAR PARTS & LABOR WARRANTIES*

*When sold by a Totally Hayward® Partner. Exclusions, other terms and conditions may apply — visit hayward.com/expert for details.



Engineered to provide quiet operation and reduced electricity consumption, the Booster Pump 300 comes with a totally enclosed fan-cooled (TEFC) motor and a 2-year extended warranty for additional peace of mind.



RELIABLY QUIET, LOW-COST

With the ability to lower your pressure cleaner-related electricity costs by as much as 35%, the Booster Pump 300 is as efficient as it is quiet.



WORKS WELL ANYWHERE

The Booster Pump 300 is compatible with any pool cleaner that requires a booster pump. Its tall mounting base allows for increased motor ventilation and protection from flooding, and its volute can be re-oriented for horizontal discharge if needed.



OUR EASIEST INSTALLATION YET

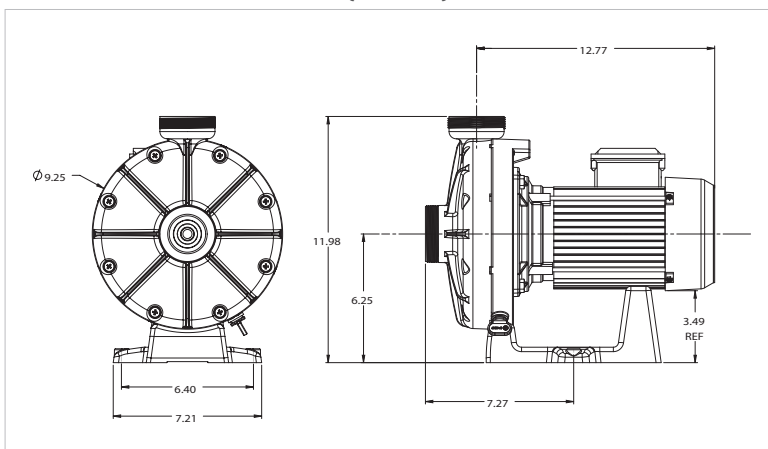
Packaged with a hose kit, the Booster Pump 300 has everything you need for effortless installation. Its 1½" union fittings, ¾" hose barb union adapters and flexible hose make retrofitting in existing pool pads easy, and top-access motor wiring simplifies service, too.

SPECIFICATIONS

MODEL NUMBER	TOTAL HP	VOLTAGE	HOSE KIT	WARRANTY
HSP30060	1.10	115/208-230	Included	3 years*

*When sold by a Totally Hayward® Partner. Exclusions, other terms and conditions may apply — visit hayward.com/expert for details.

BOOSTER PUMP DIMENSIONS (INCHES)



» hayward.com » 1-888-HAYWARD



Pumps » Filters » Heaters » Sanitization » Automation » Lighting » Water Features » Cleaners » White Goods

Hayward, Hayward & Design and the H logo are registered trademarks of Hayward Industries, Inc. All other trademarks not owned by Hayward are the property of their respective owners. Hayward is not in any way affiliated with or endorsed by those third parties. ©2025 Hayward Industries, Inc.

LITBP300SS25

HAYWARD
We Build Better.®