



# TriStar<sup>®</sup> XL

VS Series Pump with OmniX<sup>®</sup>

THE INDUSTRY'S HIGHEST IN CLASS WEF



EXPERT LINE<sup>®</sup>



ONLY FROM POOL PROS



3+ YEAR PARTS & LABOR WARRANTIES\*

\*When sold by a Totally Hayward<sup>®</sup> Partner. Exclusions, other terms and conditions may apply — visit [hayward.com/expert](http://hayward.com/expert) for details.

# EFFICIENT. RELIABLE. CONNECTED.

The TriStar® XL is a game changer for large residential pools, feature-rich installations, and complex equipment pad configurations. Engineered for performance and flexibility, it delivers increased flow through extra-large three-inch unions, supports more adaptable installations with a removable strainer housing, and reduces maintenance with an oversized strainer basket.

At the core is the new integrated Universal Display, providing a simple, intuitive control experience with enhanced programming and advanced diagnostics. Designed to connect seamlessly with Omni®, OmniX®, and competitive automation systems, TriStar XL brings consistent, intelligent control to even the most demanding pool systems.



## INTUITIVE INTERFACE

Designed with usability and flexibility in mind, the new universal display offers an improved user experience with advanced functionality.



## UNIVERSAL COMMS

Seamlessly connect to most pool automation systems with integrated universal communication technology.



## POWERFUL PERFORMANCE

Elevated flow rates that are ideal for feature-rich pools including bubblers, sheers, laminars and more.

## CONTROL FROM ANYWHERE WITH OMNI X APP AND GATEWAY\*

- » Complete control from your smart device
- » Configure your equipment quickly and intuitively
- » Integrated user management tools for homeowners and pool professionals.

\*Gateway sold separately



LEARN MORE





### UNIVERSAL AUTOMATION

Seamlessly connects with Hayward and competitive systems.



### SUPERIOR PERFORMANCE

Ideal for feature-rich pools that demand high flow rates.



### MOBILE APP CONTROL

Remote access for total control to program and diagnose issues from anywhere.



### SIMPLE AND INTUITIVE OPERATION

One consistent user interface and experience across all products with the built-in universal display.



TriStar® XL  
HCP3020VSPX1



**EXPERT LINE™**  
ONLY FROM POOL PROS



- » **Versatile strainer housing and motor** can be plumbed separate for complex pool pad configurations
- » **Remote pump control with automation** to manage speed, scheduling and more
- » **Digital interface makes pump control easy**, and offers options for rotating or wall-mounting to fit your space
- » **Includes standard union connections** (2.5" x 3") that allow for increased flow and easy drop-in replacement
- » **Totally enclosed fan-cooled (TEFC) motor** offers more efficient operation and long-lasting reliability
- » **Chemical-Resistant Viton® Seal** offers powerful corrosion protection for long-term durability

WORKS GREAT WITH OMNI X COMPATIBLE GAS HEATERS AND ACCESSORIES



UNIVERSAL H-SERIES HEATER



UNIVERSAL HC SERIES HEATER



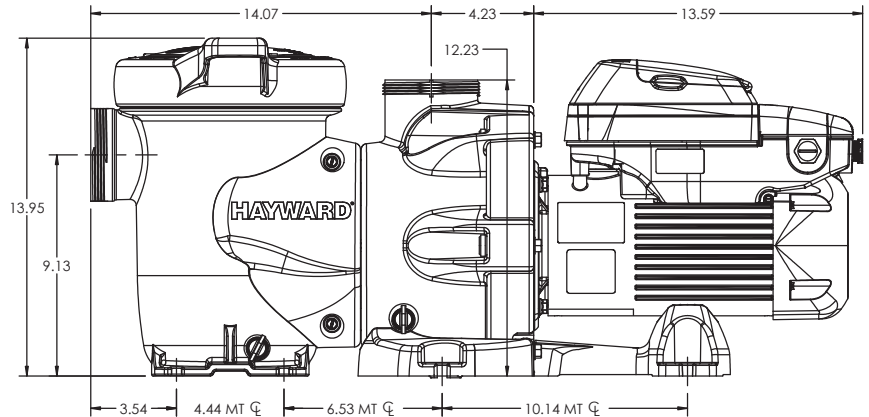
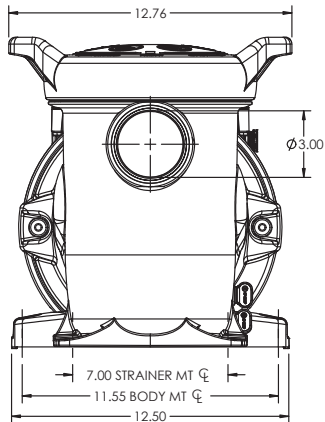
OMNI X GATEWAY

## SPECIFICATIONS

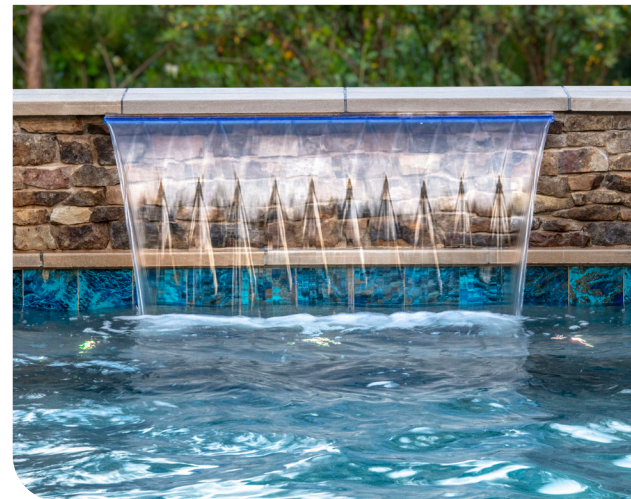
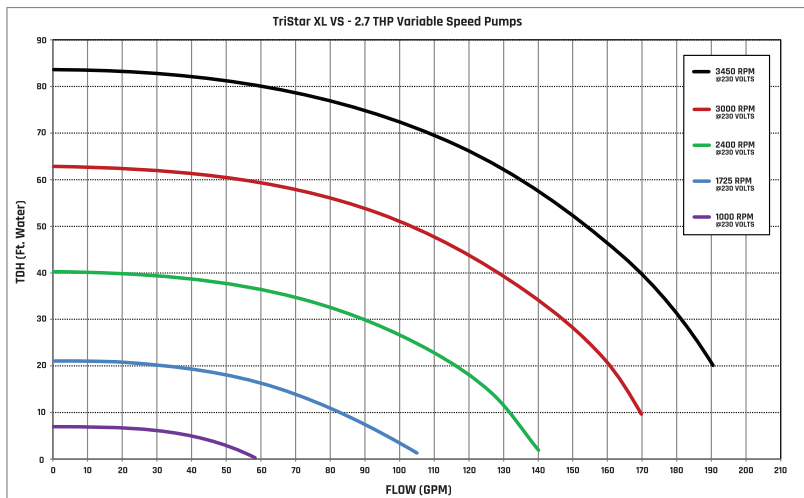
MODEL NUMBER	TOTAL HP	AUTOMATION COMPATIBILITY	INPUT VOLTAGE	CURRENT RATING	WEF	PLUMBING CONNECTIONS	STRAINER VOLUME	WARRANTY
HCP3020VSPX1	2.7-1.5	OmniX / OmniLogic / Universal Comms	230-115V	230-115A	7.2- 9.9	2 1/2" x 3" Unions	137 CU. IN.	4 years*



\*When sold by a Totally Hayward® Partner. Exclusions, other terms and conditions may apply—visit [hayward.com/expert](http://hayward.com/expert) for details.  
 \*\*The higher the weighted energy factor (WEF), the more efficient the pump. Visit [hayward.com/regulations](http://hayward.com/regulations) for more information.

## TRISTAR XL DIMENSIONS (INCHES)



## TRISTAR XL PERFORMANCE COMPARISON



TriStar pumps are listed by:  

» [hayward.com](http://hayward.com) » 1-888-HAYWARD

Pumps » Filters » Heaters » Water Quality » Automation » Lighting » Water Features » Cleaners » White Goods

Hayward, Hayward & Design, the H logo, TriStar, Omni, OmniLogic, and OmniX are registered trademarks of Hayward Industries, Inc. All other trademarks not owned by Hayward are the property of their respective owners. Hayward is not in any way affiliated with or endorsed by those third parties. ©2026 Hayward Industries, Inc.

LITTSXLSS26

