

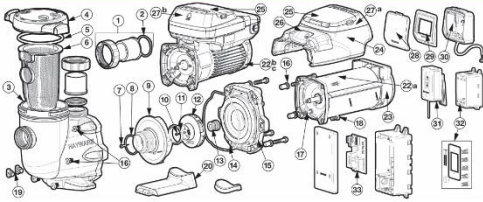
Original Replacement Parts

– Extend the life of your Hayward® Equipment

Hayward® Replacement Parts are manufactured and sourced in the same way as the original equipment and authorized distributors around the world are required to carry an extensive inventory of replacement parts to respond quickly to any local requirements.

Tristar® VS 900/950 Omni®

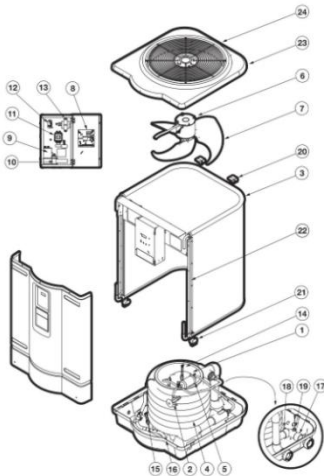
Parts Diagram: SP32950VSP, SP32900VSP, HL32950VSP, HL32900VSP



The high-quality equipment built by Hayward® can last many years. Components of the equipment may need to be replaced for several reasons:

HeatPro® MCHX Series

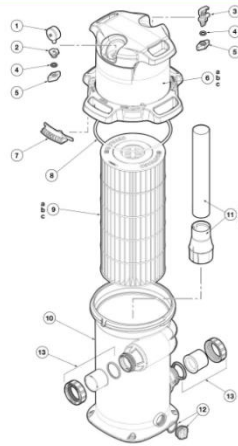
Parts Diagram: HC24007, HF21007, HF21007, HF24007, HF21007, HF21007, HC24007, HC21007, HC21007, HF24007, HF21007



wear during routine operation, sudden abnormal operating conditions; and incorrect installation or improper operating conditions.

SwimClear® Single-Element

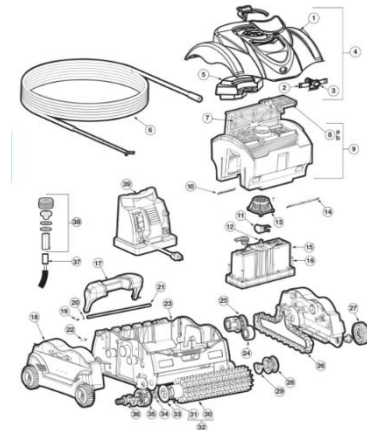
Parts Diagram



From replacement impellers and strainer baskets for pumps, filter internals, specialized parts for gas heaters and heat pumps, replacement salt cells, right to the parts required for multiport valves and robotic cleaners, we carry them all.

SharkVac XL

Parts Diagram



plug n clear

SALT CHLORINATOR

Powerline™
by HAYWARD®



Hayward® Plug n Clear salt chlorinator has a compact and attractive design that is suitable for small equipment spaces and can provide enough chlorine for small in-ground pools, above ground pools and spas.

Plug n Clear salt chlorinator is easy to install with no gluing required for the cell connections. The intuitive salt system comes pre-programmed with three modes of operation including a temperature-dependent mode.

The titanium plates are self-cleaning through programmable polarity reversal and multiple alarms for flow, low production and temperature ensure proper operation allowing you to relax.

The **Powerline™** by **Hayward® Plug n Clear** salt chlorinator ships from Europe and Wuxi.



SwimClear™

Single-Element Cartridge Filters

**LOWEST IN HEAD LOSS,
HIGHEST IN EFFICIENCY**

SwimClear™ filters are the most efficient single element cartridge filters produced. SwimClear™ has the industry's lowest head loss resulting in reduced operational energy costs.



A recessed pressure gauge and manual air relief allow for easy access to SwimClear's head assembly while also sealing the filter against contamination. And with the lowest body height on the market, cleaning and

changing filter cartridges is easier than ever.



An Easy-Lok™ ring design and ergonomic handles

offer confident filter handling while preventing contact with fiberglass-based surfaces

With 2" x 2½" union connections, SwimClear is quick and easy to retrofit in virtually any application.



PSV Series Valves



water flow simple and maintenance free.

The diverter valves feature a patented handle for quick customization of valve ports.

Components made of corrosion resistant materials allow for improved performance over an extended life.

PSV Series valves are available in multiple materials, size and port configurations to accommodate most new construction and aftermarket applications.

The PSV diverter valves are compatible with Hayward's GVA-24 electric valve actuators that can be used with Hayward automation systems like the **OmniLogic®**, the **OmniHub®** and the best-selling **AquaSolar® GL-235™** controller.

Hayward PSV Series check valves and 2 way/3-way diverter valves make management



3-way Valve



Check Valve



GVA-24 Actuator

The newly introduced **TRUE 3-INCH VALVES**

3" 3-Way Valve

deliver flow rates of up to 230gpm and are engineered to minimize headloss.

The valves have clear closed-port indication for easy-to-identify flow management. The handle is robust and ergonomically designed.



Closed Port Indication



Deck Jet 500™

Elevating the visual and acoustic appeal of your pool



WFJ100 Deck Jet

The simple **Deck Jet 500** creates an arching stream from the deck to the pool.

The **Deck Jet 500** features an attractive bronze-coated cover and the industry's only height adjustment mechanism for perfect deck alignment even after settling occurs.

The flow and direction are simple to adjust without tools.

The Deck Jet 500 can be used in Sun-Shelves Spas Spill Overs Fountains Splash Pads

» For more information on the products mentioned, email img@hayward.com or fax +1.909.4444.0327 » haywardimg.com

Hayward, Hayward & Design and the H logo, Hayward We Build Better, Hayward Since 1925 are registered trademarks of Hayward Industries, Inc. All other trademarks not owned by Hayward are the property of their respective owners. Hayward is not in any way affiliated with or endorsed by those third parties. ©2025 Hayward Industries, Inc.



SINCE 1925

International Marketing Group
8175 W. Buckeye Rd. » Phoenix AZ 85043 USA